



CHARACTERISTICS:
Hybrid volume control dampers 100mm pitch.

CONSTRUCTION:
Galvanizedsteel frame
Extruded aluminium blades
Nylon spindles.

DRIVE:
Counter rotating movement driven by manual control or servomotor.

FIXING:
By bolts on flanges corners.

DESCRIPTION:
SRCFAC: opposed blade damper with manual control.
SRCFAP: opposed blade damper with pin for servo-motor (standard).

↑ H mm	BASE B mm						
	200	300	400	500	600	700	800
	A	A	A	A	A	A	A
210	65,03	69,12	74,24	79,18	88,50	97,82	101,78
310	71,55	76,48	84,53	92,56	104,64	112,68	120,74
410	81,00	92,57	100,26	111,86	123,44	134,99	146,59
510	96,45	111,86	119,58	134,99	150,43	162,01	173,56
610	110,69	125,43	143,90	154,95	166,02	180,76	195,53
710	117,38	130,81	147,58	164,33	174,41	187,81	201,23
810	130,81	147,58	164,33	177,75	194,53	211,29	228,06
910	144,23	164,33	181,11	197,87	214,64	234,78	251,53
1010	160,99	181,11	197,87	218,00	238,14	258,26	275,01
1110	174,41	197,87	218,00	238,14	261,60	281,74	301,86
1210	191,18	211,29	234,78	258,26	281,74	305,22	325,34
1310	207,94	231,41	254,89	278,37	301,86	330,34	352,17
1410	221,36	244,83	271,69	298,49	325,34	348,82	375,65
1510	234,78	264,95	291,78	318,64	348,82	375,65	405,81
1610	251,53	278,37	308,55	338,74	368,94	395,77	425,94
1710	264,95	295,13	328,69	358,86	389,06	419,25	449,42
1810	281,74	311,90	345,47	379,00	409,18	442,72	480,22
1910	295,13	328,69	362,24	399,13	432,64	466,21	499,73
2010	311,90	345,47	382,36	419,25	452,77	489,67	526,56

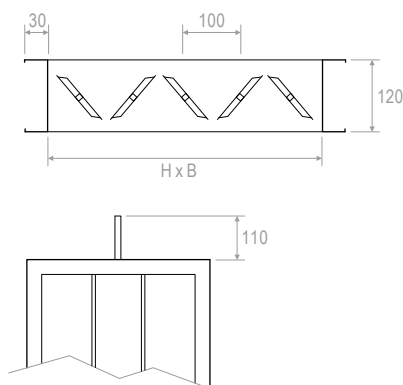
Let op: bovenstaande prijzen zijn in € bruto, excl. 21% BTW; vraag Pairedirect voor een netto aanbieding!

↑ H mm	BASE B mm						
	900	1000	1100	1200	1300	1400	1500
	A	A	A	A	A	A	A
210	104,83	113,20	121,58	129,96	142,54	150,92	155,13
310	133,11	140,86	152,96	160,99	181,11	189,14	197,20
410	158,13	169,73	181,27	192,85	215,97	227,56	235,26
510	189,00	200,57	215,97	227,56	258,43	269,99	281,56
610	210,30	221,35	236,12	250,88	287,76	302,51	313,61
710	218,00	231,41	244,83	261,60	298,49	311,90	325,34
810	241,48	258,26	271,69	291,78	335,40	348,82	362,24
910	268,31	288,43	305,22	321,96	372,30	389,06	405,81
1010	295,13	315,26	335,40	355,52	409,18	425,94	446,08
1110	321,96	342,10	365,59	385,69	446,08	466,21	486,33
1210	348,82	372,30	395,77	415,89	482,97	503,09	523,22
1310	375,65	399,13	422,60	449,42	519,87	543,32	563,45
1410	402,47	429,31	452,77	484,64	560,10	580,22	603,71
1510	432,64	459,50	482,97	509,80	597,00	620,47	643,95
1610	456,14	482,97	513,16	543,32	629,00	657,38	-
1710	482,97	509,80	543,32	573,53	670,78	697,61	-
1810	506,46	539,99	573,53	603,71	707,69	734,50	-
1910	533,27	549,35	603,71	637,24	744,57	774,75	-
2010	560,10	597,00	633,90	667,42	781,45	811,66	-

Dampers including divider

Let op: bovenstaande prijzen zijn in € bruto, excl. 21% BTW; vraag Pairedirect voor een netto aanbieding!

DRAWINGS



MANUAL CONTROL

Code: **CM30**
€ 14,61



WITHOUT SPRING RETURN

CODE	VOLTAGE	COMMAND	A
CM24L	24V	On-Off/3-p	170,57
CM230L	230V	On-Off/3-p	175,52
CM24SRL	24V	proportional	248,38



for dampers up to 0,4 m²
2 Nm

CODE	VOLTAGE	COMMAND	A
LM24A	24V	On-Off / 3-p.	163,27
LM24AS	24V	On-Off / 3-p.	186,17
LM24ASR	24V	proportional	233,62
LM230A	230V	On-Off	163,27
LM230AS	230V	On-Off	215,27
LM230ASR	230V	proportional	321,24



for dampers up to 1 m²
5 Nm

CODE	VOLTAGE	COMMAND	A
NM24A	24V	On-Off / 3-p.	197,63
NM24ASR	24V	proportional	351,05
NM230A	230V	On-Off	235,13



for dampers up to 2 m²
10 Nm

CODE	VOLTAGE	COMMAND	A
SM24A	24V	On-Off / 3-p.	263,28
SM24ASR	24V	proportional	397,42
SM230A	230V	On-Off / 3-p.	269,91
SM230ASR	230V	proportional	448,75



for dampers up to 4 m²
20 Nm

CODE	VOLTAGE	COMMAND	A
GM24A	24V	On-Off / 3-p.	465,30
GM24ASR	24V	proportional	594,45
GM230A	230V	On-Off / 3-p.	473,57



for dampers up to 8 m²
40 Nm

CODE	N° CONTACTS	AMPERAGE	APPLICABLE TO	A
S1A	1 x SPDT	1mA...3 (0,5)A 250V c.a.	LM - NM - SM - GM / 24V-230V	77,83
S2A	2 x SPDT			104,33




CODE	VOLTAGE	SIMULTANIOUS REGULATIONS	APPLICABLE TO	A
SGA24	AC/DC 24 V	max. 10 motori	LM - NM - SM - GM / 24V-230V	170,57
SGF24				122,53



Let op: bovenstaande prijzen zijn in € bruto, excl. 21% BTW; vraag Pairedirect voor een netto aanbieding!

WITH SPRING RETURN

CODE	VOLTAGE	COMMAND	A
TF24	24V	On-Off	258,32
TF24S	24V	On-Off	303,03
TF230	230V	On-Off	279,83
TF230S	230V	On-Off	326,20
TF24SR	24V	proportional	356,01



for dampers up to 0,4 m²
2 Nm

CODE	VOLTAGE	COMMAND	A
LF24	24V	On-Off	322,90
LF24S	24V	On-Off	334,12
LF230	230V	On-Off	349,40
LF230S	230V	On-Off	397,42
LF24SR	24V	proportional	435,50



for dampers up to 0,8 m²
4 Nm

CODE	VOLTAGE	COMMAND	A
NFA	230 VAC	On-Off	468,36
NFAS2	230 VAC	On-Off	533,19
NFA	24 VAC/DC	On-Off	468,36
NFAS2	24 VAC/DC	On-Off	533,19
NF24ASR	24 VAC/DC	proportional	471,93
NF24ASRS2	24 VAC/DC	proportional	524,91



for dampers up to 2 m²
10 Nm

CODE	VOLTAGE	COMMAND	A
SFA	230 VAC	On-Off	559,12
SFAS2	230 VAC	On-Off	610,98
SFA	24 VAC/DC	On-Off	559,12
SFAS2	24 VAC/DC	On-Off	610,98
SF24ASR	24 VAC/DC	proportional	536,51
SF24ASRS2	24 VAC/DC	proportional	574,60



for dampers up to 4 m²
20 Nm

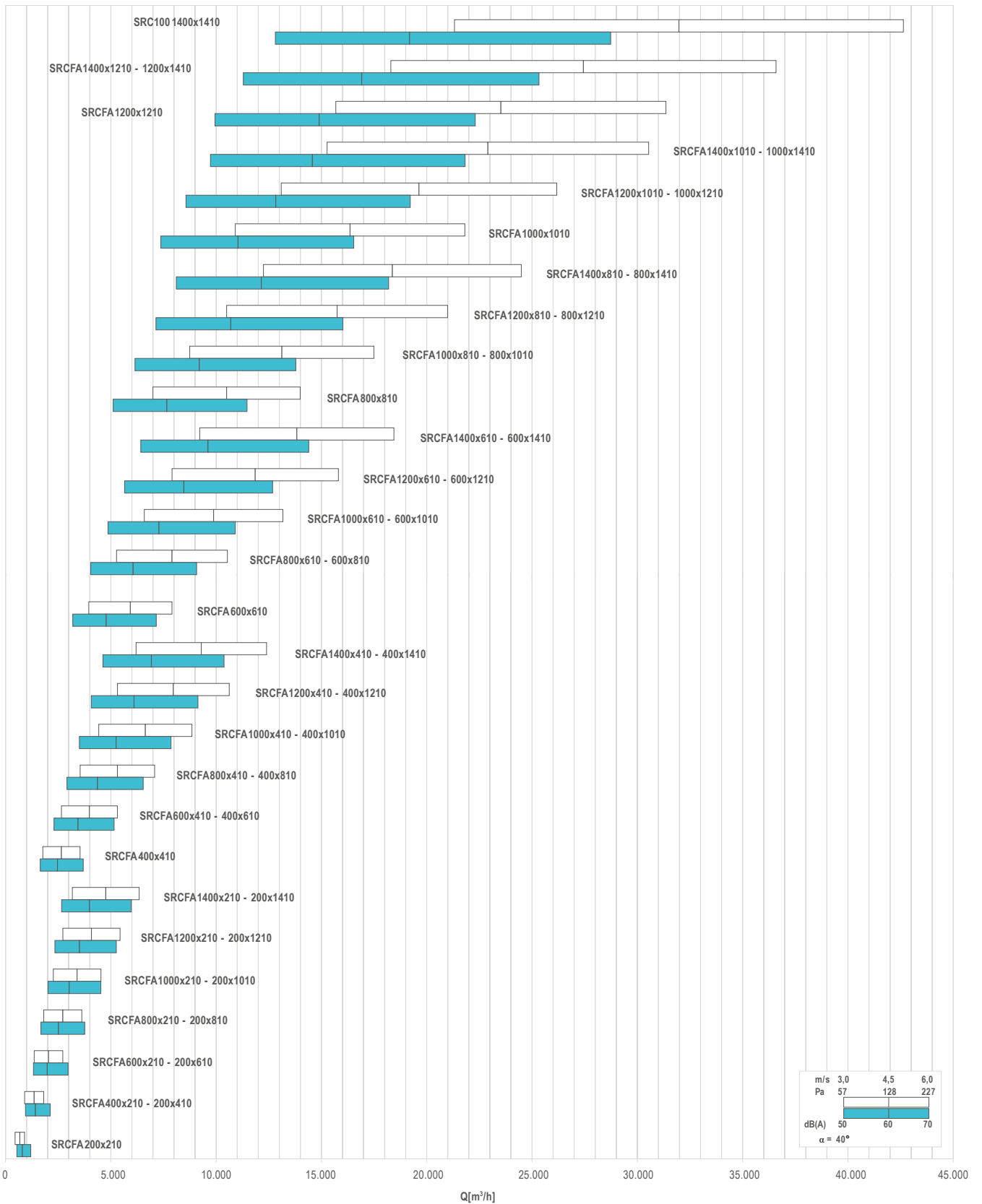
CODE	VOLTAGE	COMMAND	A
EF230A	230 VAC	On-Off	1.041,56
EF230AS2	230 VAC	On-Off	1.107,79
EF24A	24 VAC/DC	On-Off	907,42
EF24AS2	24 VAC/DC	On-Off	972,00
EF24ASR	24 VAC/DC	proportional	1.059,77
EF24ASRS2	24 VAC/DC	proportional	1.126,01



for dampers up to 6 m²
30 Nm

Let op: bovenstaande prijzen zijn in € bruto, excl. 21% BTW; vraag Pairedirect voor een netto aanbieding!

QUICK SELECTION DIAGRAM



Modello - Model	A _v [m ²]	v [m/s]		Q [m ³ /h]		D _p (α=40°) [Pa]		L _{wa} (α=40°) [dB(A)]	
		min	max	min	max	min	max	min	max
SRCFA200x210	0,0420	3	6	450	910	57	227	46	63
SRCFA400x210 - 200x410	0,0840	3	6	910	1810	57	227	49	66
SRCFA600x210 - 200x610	0,1260	3	6	1360	2720	57	227	51	68
SRCFA800x210 - 200x810	0,1680	3	6	1810	3630	57	227	52	69
SRCFA1000x210 - 200x1010	0,2100	3	6	2270	4540	57	227	53	70
SRCFA1200x210 - 200x1210	0,2520	3	6	2720	5440	57	227	54	71
SRCFA1400x210 - 200x1410	0,2940	3	6	3180	6350	57	227	54	71
SRCFA400x410	0,1640	3	6	1770	3540	57	227	52	69
SRCFA600x410 - 400x610	0,2460	3	6	2660	5310	57	227	54	71
SRCFA800x410 - 400x810	0,3280	3	6	3540	7080	57	227	55	72
SRCFA1000x410 - 400x1010	0,4100	3	6	4430	8860	57	227	56	73
SRCFA1200x410 - 400x1210	0,4920	3	6	5310	10630	57	227	57	74
SRCFA1400x410 - 400x1410	0,5740	3	6	6200	12400	57	227	57	74
SRCFA600x610	0,3660	3	6	3950	7910	57	227	55	72
SRCFA800x610 - 600x810	0,4880	3	6	5270	10540	57	227	57	74
SRCFA1000x610 - 600x1010	0,6100	3	6	6590	13180	57	227	58	75
SRCFA1200x610 - 600x1210	0,7320	3	6	7910	15810	57	227	58	75
SRCFA1400x610 - 600x1410	0,8540	3	6	9220	18450	57	227	59	76
SRCFA800x810	0,6480	3	6	7000	14000	57	227	58	75
SRCFA1000x810 - 800x1010	0,8100	3	6	8750	17500	57	227	59	76
SRCFA1200x810 - 800x1210	0,9720	3	6	10500	21000	57	227	60	77
SRCFA1400x810 - 800x1410	1,1340	3	6	12250	24490	57	227	60	77
SRCFA1000x1010	1,0100	3	6	10910	21820	57	227	60	77
SRCFA1200x1010 - 1000x1210	1,2120	3	6	13090	26180	57	227	60	78
SRCFA1400x1010 - 1000x1410	1,4140	3	6	15270	30540	57	227	61	78
SRCFA1200x1210	1,4520	3	6	15680	31360	57	227	61	78
SRCFA1400x1210 - 1200x1410	1,6940	3	6	18300	36590	57	227	62	79
SRCFA1400x1410	1,9740	3	6	21320	42640	57	227	63	80

