



CHARACTERISTICS:

Shut-off volume control dampers 100mm pitch leakage.

CERTIFIED CLASS 2 ACCORDING TO EN 1751.

CONSTRUCTION:

Extruded aluminium frame.
Extruded aluminium blades with gasket.
Nylon spindles.

DRIVE:

Counter rotating movement driven by manual control or servomotor.

FIXING:

By bolts on flanges corners.

DESCRIPTION:

SRCAGC: opposed blade damper with manual control.
SRCAGP: opposed blade damper with pin for servo-motor (standard).

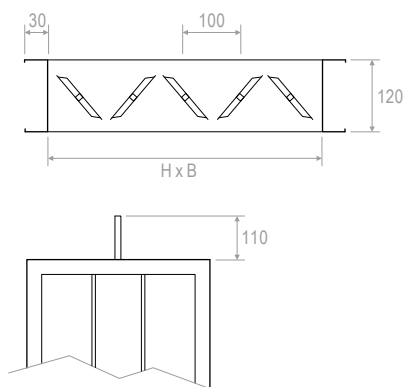
↑ H mm	BASE B mm						
	200	300	400	500	600	700	800
	A	A	A	A	A	A	A
210	70,23	74,66	80,15	85,52	95,58	105,65	115,71
310	80,50	95,58	105,65	115,71	130,81	140,85	150,91
410	105,65	120,75	130,81	145,89	160,98	176,08	191,18
510	125,78	145,89	155,94	176,08	196,21	211,29	226,39
610	150,91	171,04	196,21	211,29	226,39	246,49	266,66
710	176,08	196,21	221,36	246,49	261,61	281,74	301,86
810	196,21	221,36	246,49	266,66	291,81	316,95	342,10
910	216,33	246,49	271,66	296,81	321,98	352,17	377,32
1010	241,47	271,66	296,81	327,01	357,19	387,39	412,55
1110	261,61	296,81	327,01	357,19	392,40	422,59	452,77
1210	286,78	316,95	352,17	387,39	422,59	457,81	488,01
1310	311,93	347,13	382,36	417,56	452,77	495,54	528,24
1410	332,05	367,26	407,52	447,75	488,01	523,21	563,46
1510	352,17	397,44	437,68	477,96	523,21	563,46	608,72
1610	377,32	417,56	462,83	508,13	553,39	593,66	638,92
1710	397,44	442,71	493,04	538,29	583,59	628,86	674,12
1810	422,59	467,88	518,17	568,49	613,75	664,08	720,33
1910	442,71	493,04	543,34	598,68	648,98	699,29	749,58
2010	467,88	518,17	573,54	628,86	679,17	734,50	789,83

Let op: bovenstaande prijzen zijn in € bruto, excl. 21% BTW; vraag Pairedirect voor een netto aanbieding!

↑ H mm	BASE B mm						
	900	1000	1100	1200	1300	1400	1500
	A	A	A	A	A	A	A
210	125,78	135,83	145,89	155,94	171,04	181,11	186,15
310	166,02	176,08	191,18	201,23	226,39	236,43	246,49
410	206,27	221,36	236,43	251,52	281,74	296,81	306,78
510	246,49	261,61	281,74	296,81	337,07	352,17	367,26
610	286,78	301,86	321,98	342,10	392,40	412,55	427,63
710	327,01	347,13	367,26	392,40	447,75	467,88	488,01
810	362,24	387,39	407,52	437,68	503,10	523,21	543,34
910	402,49	432,65	457,81	482,97	558,42	583,59	608,72
1010	442,71	472,92	503,10	533,26	613,75	638,92	669,11
1110	482,97	513,14	548,38	578,55	669,11	699,29	729,48
1210	523,21	558,42	593,66	623,82	724,44	754,62	784,83
1310	563,46	598,68	633,90	674,12	779,81	814,99	845,19
1410	603,69	643,96	679,17	726,98	840,15	870,34	905,55
1510	648,98	689,25	724,44	764,69	895,48	930,72	965,93
1610	684,20	724,44	769,73	814,99	943,51	986,05	-
1710	724,44	764,69	814,99	860,27	1006,18	1046,43	-
1810	759,67	809,97	860,27	905,55	1061,54	1101,76	-
1910	799,90	824,03	905,55	955,86	1116,87	1162,13	-
2010	840,15	895,48	950,85	1001,14	1172,18	1217,47	-

Let op: bovenstaande prijzen zijn in € bruto, excl. 21% BTW; vraag Pairedirect voor een netto aanbieding!

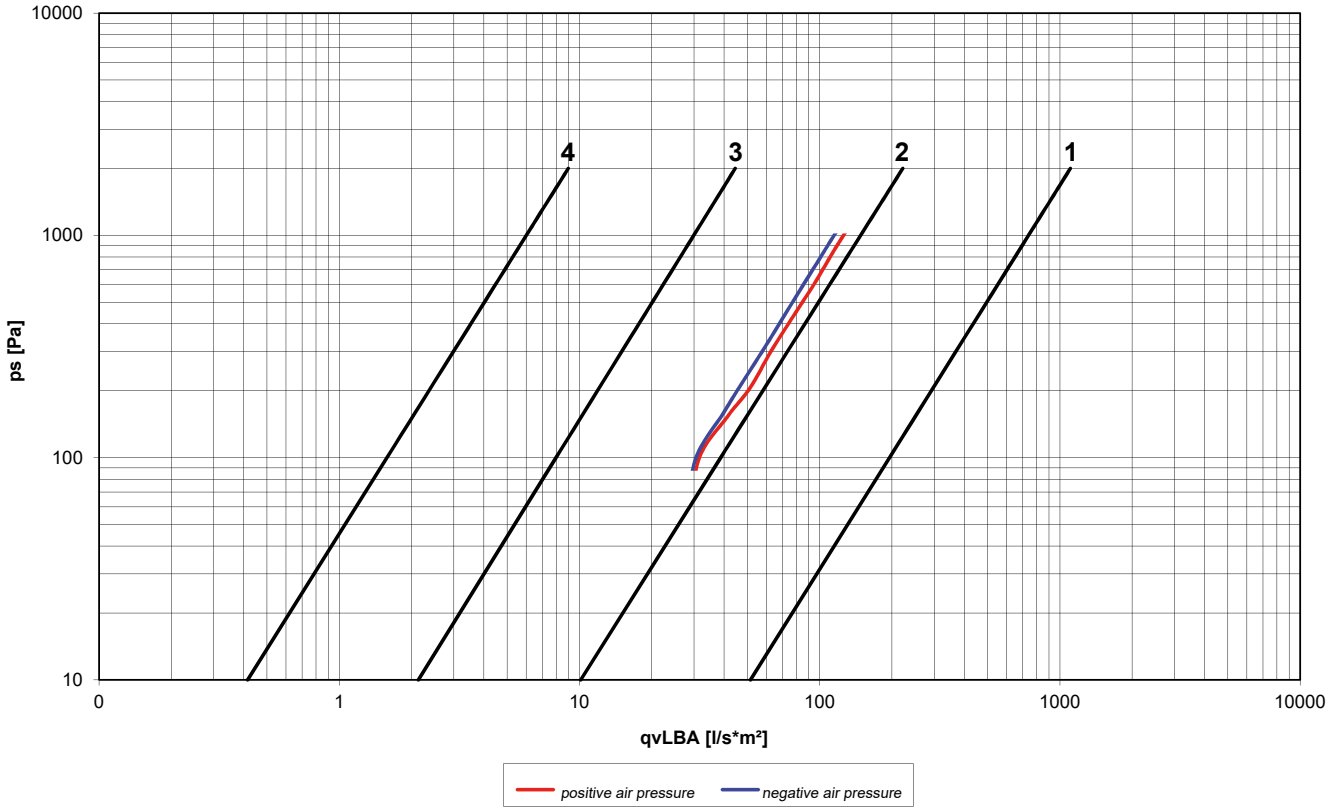
DRAWINGS



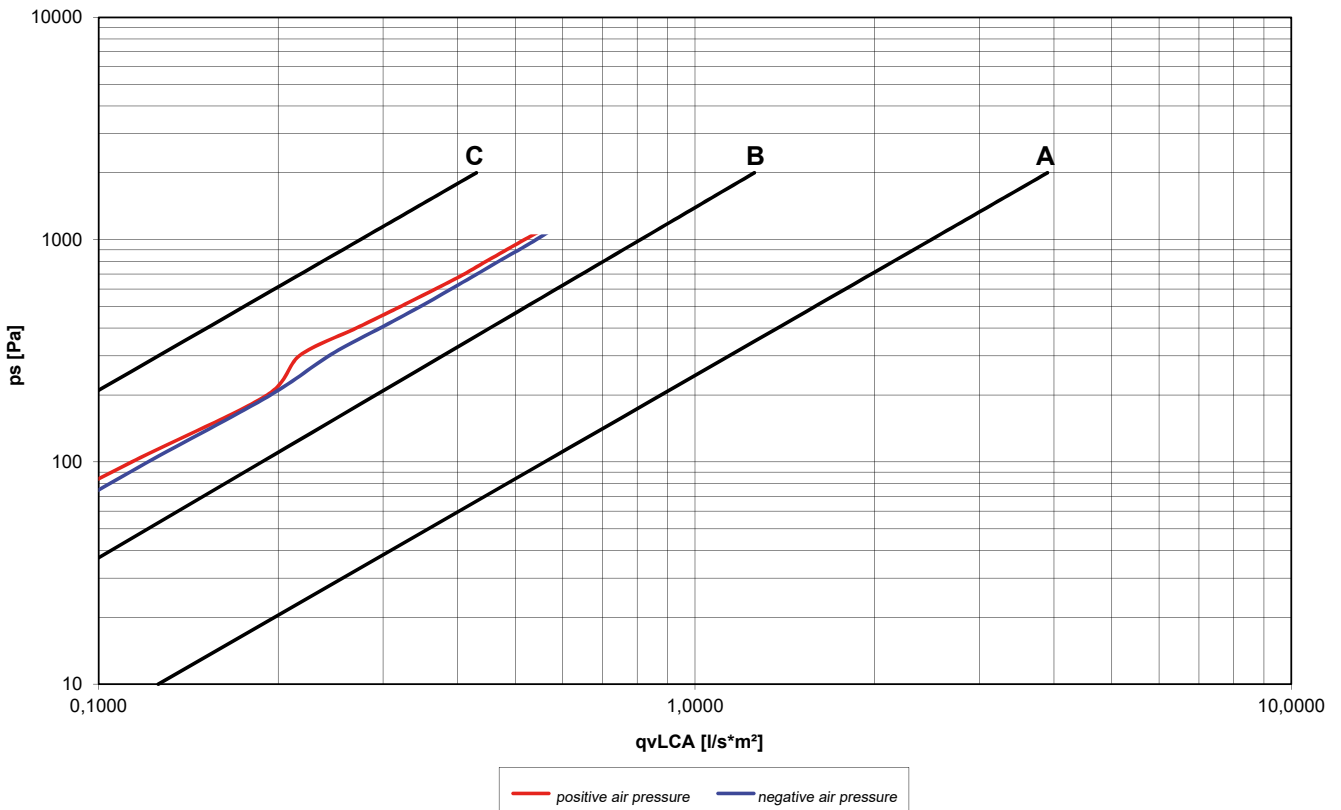
MANUAL CONTROL

Codice - Code: **CM30**
€ 14,61





AIR SEALING FRAME



WITHOUT SPRING RETURN

CODE	VOLTAGE	COMMAND	A
CM24L	24V	On-Off/3-p	170,57
CM230L	230V	On-Off/3-p	175,52
CM24SRL	24V	proportional	248,38



CODE	VOLTAGE	COMMAND	A
LM24A	24V	On-Off / 3-p.	163,27
LM24AS	24V	On-Off / 3-p.	186,17
LM24ASR	24V	proportional	233,62
LM230A	230V	On-Off	163,27
LM230AS	230V	On-Off	215,27
LM230ASR	230V	proportional	321,24



CODE	VOLTAGE	COMMAND	A
NM24A	24V	On-Off / 3-p.	197,63
NM24ASR	24V	proportional	351,05
NM230A	230V	On-Off	235,13



CODE	VOLTAGE	COMMAND	A
SM24A	24V	On-Off / 3-p.	263,28
SM24ASR	24V	proportional	397,42
SM230A	230V	On-Off / 3-p.	269,91
SM230ASR	230V	proportional	448,75



CODE	VOLTAGE	COMMAND	A
GM24A	24V	On-Off / 3-p.	465,30
GM24ASR	24V	proportional	594,45
GM230A	230V	On-Off / 3-p.	473,57



CODE	N° CONTACTS	AMPERAGE	APPLICABLE TO	A
S1A	1 x SPDT	1mA...3 (0,5)A 250V c.a.	LM - NM - SM - GM / 24V-230V	77,83
S2A	2 x SPDT			104,33



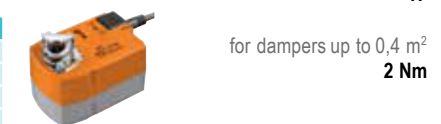
CODE	VOLTAGE	SIMULTANEOUS REGULATIONS	APPLICABLE TO	A
SGA24	AC/DC 24 V	max. 10 motori	LM - NM - SM - GM / 24V-230V	170,57
SGF24				122,53



Let op: bovenstaande prijzen zijn in € bruto, excl. 21% BTW; vraag Pairedirect voor een netto aanbieding!

WITH SPRING RETURN

CODE	VOLTAGE	COMMAND	A
TF24	24V	On-Off	258,32
TF24S	24V	On-Off	303,03
TF230	230V	On-Off	279,83
TF230S	230V	On-Off	326,20
TF24SR	24V	proportional	356,01



CODE	VOLTAGE	COMMAND	A
LF24	24V	On-Off	322,90
LF24S	24V	On-Off	334,12
LF230	230V	On-Off	349,40
LF230S	230V	On-Off	397,42
LF24SR	24V	proportional	435,50



CODE	VOLTAGE	COMMAND	A
NFA	230 VAC	On-Off	468,36
NFAS2	230 VAC	On-Off	533,19
NFA	24 VAC/DC	On-Off	468,36
NFAS2	24 VAC/DC	On-Off	533,19
NF24ASR	24 VAC/DC	proportional	471,93
NF24ASRS2	24 VAC/DC	proportional	524,91



CODE	VOLTAGE	COMMAND	A
SFA	230 VAC	On-Off	559,12
SFAS2	230 VAC	On-Off	610,98
SFA	24 VAC/DC	On-Off	559,12
SFAS2	24 VAC/DC	On-Off	610,98
SF24ASR	24 VAC/DC	proportional	536,51
SF24ASRS2	24 VAC/DC	proportional	574,60



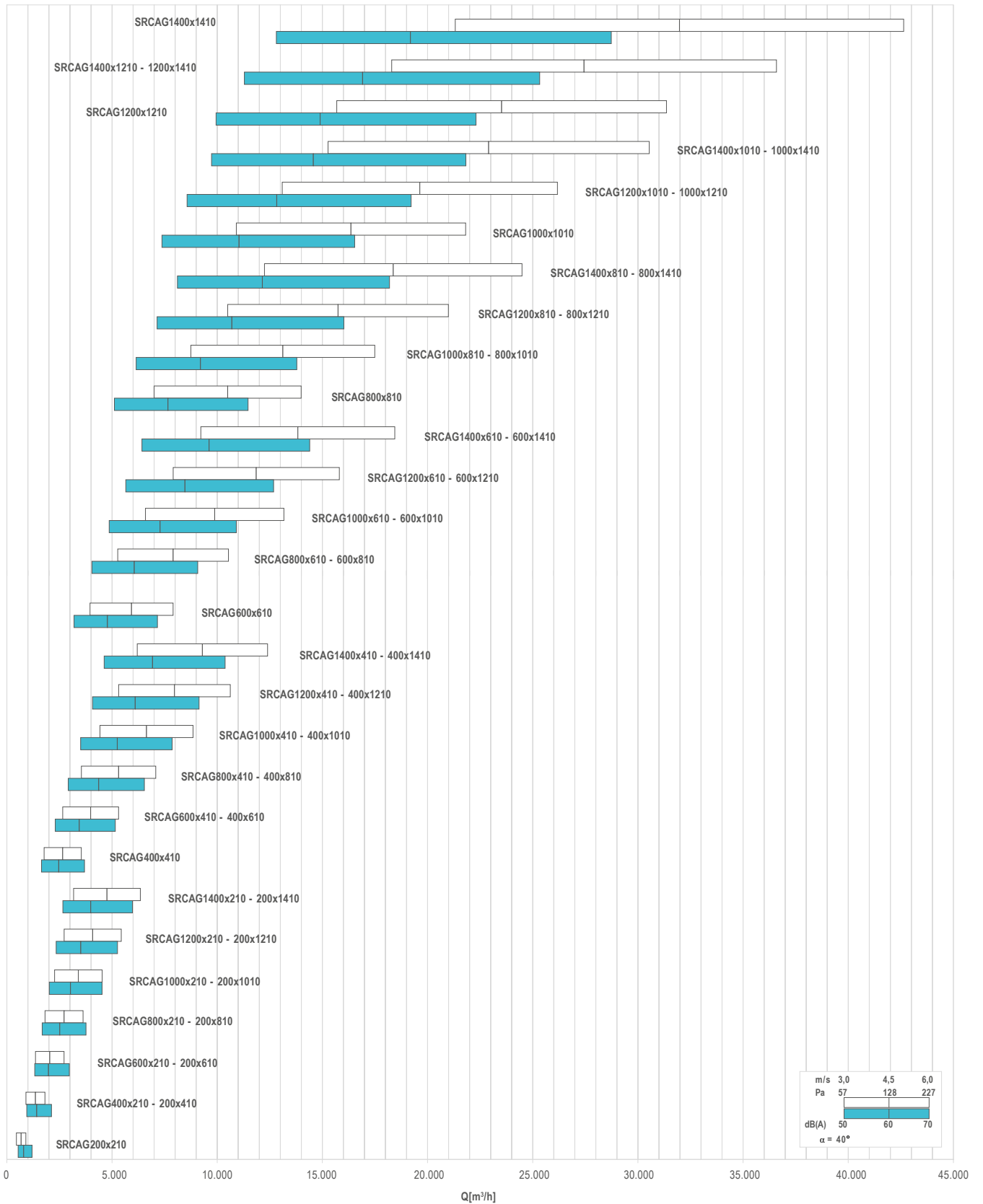
CODE	VOLTAGE	COMMAND	A
EF230A	230 VAC	On-Off	1.041,56
EF230AS2	230 VAC	On-Off	1.107,79
EF24A	24 VAC/DC	On-Off	907,42
EF24AS2	24 VAC/DC	On-Off	972,00
EF24ASR	24 VAC/DC	proportional	1.059,77
EF24ASRS2	24 VAC/DC	proportional	1.126,01



Let op: bovenstaande prijzen zijn in € bruto, excl. 21% BTW; vraag Pairedirect voor een netto aanbieding!



-QUICK SELECTION DIAGRAM



Modello - Model	A _v [m ²]	v [m/s]		Q [m ³ /h]		D _p (α=40°) [Pa]		L _{wa} (α=40°) [dB(A)]	
		min	max	min	max	min	max	min	max
SRCAG200x210	0,0420	3	6	450	910	57	227	46	63
SRCAG400x210 - 200x410	0,0840	3	6	910	1810	57	227	49	66
SRCAG600x210 - 200x610	0,1260	3	6	1360	2720	57	227	51	68
SRCAG800x210 - 200x810	0,1680	3	6	1810	3630	57	227	52	69
SRCAG1000x210 - 200x1010	0,2100	3	6	2270	4540	57	227	53	70
SRCAG1200x210 - 200x1210	0,2520	3	6	2720	5440	57	227	54	71
SRCAG1400x210 - 200x1410	0,2940	3	6	3180	6350	57	227	54	71
SRCAG400x410	0,1640	3	6	1770	3540	57	227	52	69
SRCAG600x410 - 400x610	0,2460	3	6	2660	5310	57	227	54	71
SRCAG800x410 - 400x810	0,3280	3	6	3540	7080	57	227	55	72
SRCAG1000x410 - 400x1010	0,4100	3	6	4430	8860	57	227	56	73
SRCAG1200x410 - 400x1210	0,4920	3	6	5310	10630	57	227	57	74
SRCAG1400x410 - 400x1410	0,5740	3	6	6200	12400	57	227	57	74
SRCAG600x610	0,3660	3	6	3950	7910	57	227	55	72
SRCAG800x610 - 600x810	0,4880	3	6	5270	10540	57	227	57	74
SRCAG1000x610 - 600x1010	0,6100	3	6	6590	13180	57	227	58	75
SRCAG1200x610 - 600x1210	0,7320	3	6	7910	15810	57	227	58	75
SRCAG1400x610 - 600x1410	0,8540	3	6	9220	18450	57	227	59	76
SRCAG800x810	0,6480	3	6	7000	14000	57	227	58	75
SRCAG1000x810 - 800x1010	0,8100	3	6	8750	17500	57	227	59	76
SRCAG1200x810 - 800x1210	0,9720	3	6	10500	21000	57	227	60	77
SRCAG1400x810 - 800x1410	1,1340	3	6	12250	24490	57	227	60	77
SRCAG1000x1010	1,0100	3	6	10910	21820	57	227	60	77
SRCAG1200x1010 - 1000x1210	1,2120	3	6	13090	26180	57	227	60	78
SRCAG1400x1010 - 1000x1410	1,4140	3	6	15270	30540	57	227	61	78
SRCAG1200x1210	1,4520	3	6	15680	31360	57	227	61	78
SRCAG1400x1210 - 1200x1410	1,6940	3	6	18300	36590	57	227	62	79
SRCAG1400x1410	1,9740	3	6	21320	42640	57	227	63	80

