



**CHARACTERISTICS:**  
Aluminium volume control dampers 100mm pitch.

**CONSTRUCTION:**  
Extruded aluminium frame.  
Extruded aluminium blades.  
Nylon spindles.

**DRIVE:**  
Counter rotating movement driven by manual control or servomotor.

**FIXING:**  
By bolts on flanges corners.

**DESCRIPTION:**  
SRCAC: opposed blade damper with manual control.  
SRCAP: opposed blade damper with pin for servomotor (standard).

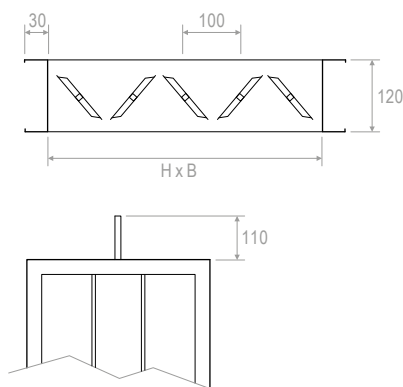
↑ H mm	BASE B mm						
	200	300	400	500	600	700	800
	A	A	A	A	A	A	A
210	65,03	69,12	74,24	79,18	88,50	97,82	107,15
310	71,55	84,97	93,91	102,86	116,27	125,21	134,16
410	90,00	102,86	111,43	124,28	137,12	149,98	162,86
510	107,15	124,28	132,84	149,98	167,14	180,00	192,85
610	122,97	139,37	159,88	172,17	184,46	200,86	217,26
710	130,42	145,34	163,97	182,60	193,79	208,68	223,59
810	145,34	163,97	182,60	197,51	216,15	234,78	253,40
910	160,25	182,60	201,23	219,86	238,50	260,86	279,49
1010	178,87	201,23	219,86	242,22	264,58	286,94	305,59
1110	193,79	219,86	242,22	264,58	290,66	313,02	335,40
1210	212,42	234,78	260,86	286,94	313,02	339,13	361,49
1310	231,04	257,13	283,22	309,29	335,40	367,07	391,29
1410	245,95	272,02	301,87	331,65	361,49	387,56	417,39
1510	260,86	294,40	324,20	354,05	387,56	417,39	450,90
1610	279,49	309,29	342,84	376,40	409,92	439,75	473,28
1710	294,40	327,92	365,22	398,74	432,28	465,82	499,36
1810	313,02	346,57	383,84	421,12	454,63	491,91	533,58
1910	327,92	365,22	402,48	443,48	480,73	518,00	555,25
2010	346,57	383,84	424,84	465,82	503,09	544,08	585,06

Let op: bovenstaande prijzen zijn in € bruto, excl. 21% BTW; vraag Pairedirect voor een netto aanbieding!

↑ H mm	BASE B mm						
	900	1000	1100	1200	1300	1400	1500
	A	A	A	A	A	A	A
210	116,47	125,78	135,09	144,39	158,38	167,69	172,37
310	150,84	156,52	169,93	178,87	201,23	210,17	219,11
410	175,71	188,58	201,40	214,27	239,99	252,83	261,33
510	209,98	222,85	239,99	252,83	287,15	299,98	312,83
610	233,65	245,95	262,34	278,73	319,73	336,14	321,39
710	242,22	257,13	272,02	290,66	331,65	346,57	361,49
810	268,31	286,94	301,87	324,20	372,67	387,56	402,48
910	298,15	320,49	339,13	357,76	413,65	432,28	450,90
1010	327,92	350,31	372,67	395,00	454,63	473,28	495,64
1110	357,76	380,11	406,21	428,56	495,64	518,00	540,36
1210	387,56	413,65	439,75	462,10	536,62	558,99	581,36
1310	417,39	443,48	469,55	499,36	577,64	603,70	626,07
1410	447,18	477,02	503,09	538,50	622,34	644,70	670,78
1510	480,73	510,56	536,62	566,44	663,33	689,41	715,50
1610	506,82	536,62	570,17	603,70	698,90	730,41	-
1710	536,62	566,44	603,70	637,24	745,31	775,13	-
1810	562,73	599,98	637,24	670,78	786,32	816,11	-
1910	592,52	610,38	670,78	708,05	827,30	860,84	-
2010	622,34	663,33	704,33	741,59	868,28	901,85	-

Let op: bovenstaande prijzen zijn in € bruto, excl. 21% BTW; vraag Pairedirect voor een netto aanbieding!

**DRAWINGS**



**MANUAL CONTROL**

Code: **CM30**  
€ 14,61



## WITHOUT SPRING RETURN

CODE	VOLTAGE	COMMAND	A
CM24L	24V	On-Off/3-p	170,57
CM230L	230V	On-Off/3-p	175,52
CM24SRL	24V	proportional	248,38


 for dampers up to 0,4 m<sup>2</sup>  
**2 Nm**

CODE	VOLTAGE	COMMAND	A
LM24A	24V	On-Off/ 3-p.	163,27
LM24AS	24V	On-Off/ 3-p.	186,17
LM24ASR	24V	proportional	233,62
LM230A	230V	On-Off	163,27
LM230AS	230V	On-Off	215,27
LM230ASR	230V	proportional	321,24


 for dampers up to 1 m<sup>2</sup>  
**5 Nm**

CODE	VOLTAGE	COMMAND	A
NM24A	24V	On-Off/ 3-p.	197,63
NM24ASR	24V	proportional	351,05
NM230A	230V	On-Off	235,13


 for dampers up to 2 m<sup>2</sup>  
**10 Nm**

CODE	VOLTAGE	COMMAND	A
SM24A	24V	On-Off/ 3-p.	263,28
SM24ASR	24V	proportional	397,42
SM230A	230V	On-Off/ 3-p.	269,91
SM230ASR	230V	proportional	448,75


 for dampers up to 4 m<sup>2</sup>  
**20 Nm**

CODE	VOLTAGE	COMMAND	A
GM24A	24V	On-Off/ 3-p.	465,30
GM24ASR	24V	proportional	594,45
GM230A	230V	On-Off/ 3-p.	473,57


 for dampers up to 8 m<sup>2</sup>  
**40 Nm**

CODE	N° CONTACTS	AMPERAGE	APPLICABLE TO	A
S1A	1 x SPDT	1mA....3 (0,5)A 250V c.a.	LM - NM - SM - GM/ 24V-230V	77,83
S2A	2 x SPDT			104,33


**S1A** **S2A**


CODE	VOLTAGE	SIMULTANEOUS REGULATIONS	APPLICABLE TO	A
SGA24	AC/DC 24 V	max. 10 motori	LM - NM - SM - GM/ 24V-230V	170,57
SGF24				122,53


**SGA24** **SGF24**

Let op: bovenstaande prijzen zijn in € bruto, excl. 21% BTW; vraag Pairedirect voor een netto aanbieding!

## WITH SPRING RETURN

CODE	VOLTAGE	COMMAND	A
TF24	24V	On-Off	258,32
TF24S	24V	On-Off	303,03
TF230	230V	On-Off	279,83
TF230S	230V	On-Off	326,20
TF24SR	24V	proportional	356,01


 for dampers up to 0,4 m<sup>2</sup>  
**2 Nm**

CODE	VOLTAGE	COMMAND	A
LF24	24V	On-Off	322,90
LF24S	24V	On-Off	334,12
LF230	230V	On-Off	349,40
LF230S	230V	On-Off	397,42
LF24SR	24V	proportional	435,50


 for dampers up to 0,8 m<sup>2</sup>  
**4 Nm**

CODE	VOLTAGE	COMMAND	A
NFA	230 VAC	On-Off	468,36
NFAS2	230 VAC	On-Off	533,19
NFA	24 VAC/DC	On-Off	468,36
NFAS2	24 VAC/DC	On-Off	533,19
NF24ASR	24 VAC/DC	proportional	471,93
NF24ASRS2	24 VAC/DC	proportional	524,91


 for dampers up to 2 m<sup>2</sup>  
**10 Nm**

CODE	VOLTAGE	COMMAND	A
SFA	230 VAC	On-Off	559,12
SFAS2	230 VAC	On-Off	610,98
SFA	24 VAC/DC	On-Off	559,12
SFAS2	24 VAC/DC	On-Off	610,98
SF24ASR	24 VAC/DC	proportional	536,51
SF24ASRS2	24 VAC/DC	proportional	574,60

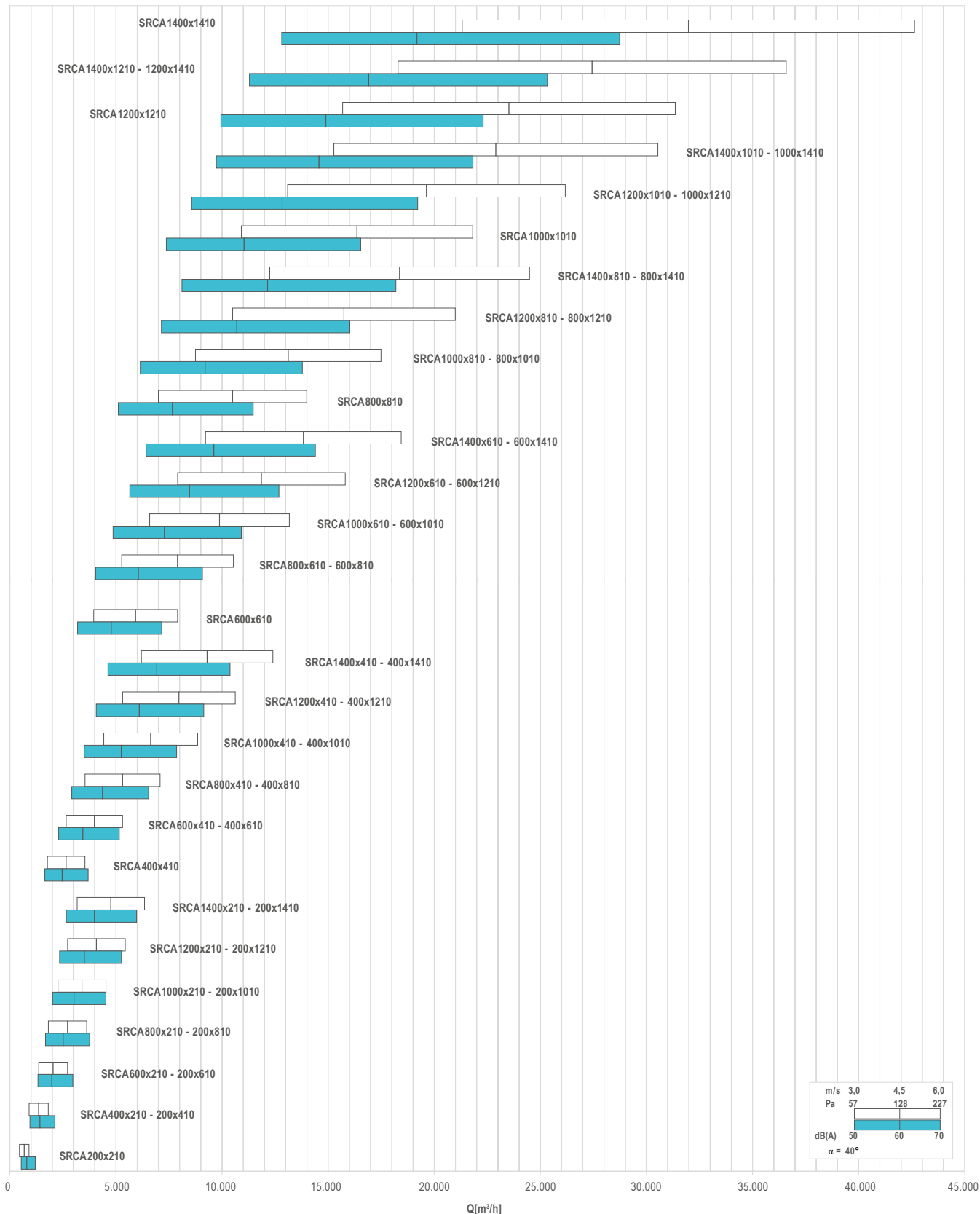

 for dampers up to 4 m<sup>2</sup>  
**20 Nm**

CODE	VOLTAGE	COMMAND	A
EF230A	230 VAC	On-Off	1.041,56
EF230AS2	230 VAC	On-Off	1.107,79
EF24A	24 VAC/DC	On-Off	907,42
EF24AS2	24 VAC/DC	On-Off	972,00
EF24ASR	24 VAC/DC	proportional	1.059,77
EF24ASRS2	24 VAC/DC	proportional	1.126,01


 for dampers up to 6 m<sup>2</sup>  
**30 Nm**

Let op: bovenstaande prijzen zijn in € bruto, excl. 21% BTW; vraag Pairedirect voor een netto aanbieding!

QUICK SELECTION DIAGRAM



m/s	3,0	4,5	6,0
Pa	57	128	227
dB(A)	50	60	70
$\alpha = 40^\circ$			

Modello - Model	A <sub>f</sub> [m <sup>2</sup> ]	v [m/s]		Q [m <sup>3</sup> /h]		D <sub>p</sub> (α=40°) [Pa]		L <sub>wa</sub> (α=40°) [dB(A)]	
		min	max	min	max	min	max	min	max
<b>SRCA200x210</b>	0,0420	3	6	450	910	57	227	46	63
<b>SRCA400x210 - 200x410</b>	0,0840	3	6	910	1810	57	227	49	66
<b>SRCA600x210 - 200x610</b>	0,1260	3	6	1360	2720	57	227	51	68
<b>SRCA800x210 - 200x810</b>	0,1680	3	6	1810	3630	57	227	52	69
<b>SRCA1000x210 - 200x1010</b>	0,2100	3	6	2270	4540	57	227	53	70
<b>SRCA1200x210 - 200x1210</b>	0,2520	3	6	2720	5440	57	227	54	71
<b>SRCA1400x210 - 200x1410</b>	0,2940	3	6	3180	6350	57	227	54	71
<b>SRCA400x410</b>	0,1640	3	6	1770	3540	57	227	52	69
<b>SRCA600x410 - 400x610</b>	0,2460	3	6	2660	5310	57	227	54	71
<b>SRCA800x410 - 400x810</b>	0,3280	3	6	3540	7080	57	227	55	72
<b>SRCA1000x410 - 400x1010</b>	0,4100	3	6	4430	8860	57	227	56	73
<b>SRCA1200x410 - 400x1210</b>	0,4920	3	6	5310	10630	57	227	57	74
<b>SRCA1400x410 - 400x1410</b>	0,5740	3	6	6200	12400	57	227	57	74
<b>SRCA600x610</b>	0,3660	3	6	3950	7910	57	227	55	72
<b>SRCA800x610 - 600x810</b>	0,4880	3	6	5270	10540	57	227	57	74
<b>SRCA1000x610 - 600x1010</b>	0,6100	3	6	6590	13180	57	227	58	75
<b>SRCA1200x610 - 600x1210</b>	0,7320	3	6	7910	15810	57	227	58	75
<b>SRCA1400x610 - 600x1410</b>	0,8540	3	6	9220	18450	57	227	59	76
<b>SRCA800x810</b>	0,6480	3	6	7000	14000	57	227	58	75
<b>SRCA1000x810 - 800x1010</b>	0,8100	3	6	8750	17500	57	227	59	76
<b>SRCA1200x810 - 800x1210</b>	0,9720	3	6	10500	21000	57	227	60	77
<b>SRCA1400x810 - 800x1410</b>	1,1340	3	6	12250	24490	57	227	60	77
<b>SRCA1000x1010</b>	1,0100	3	6	10910	21820	57	227	60	77
<b>SRCA1200x1010 - 1000x1210</b>	1,2120	3	6	13090	26180	57	227	60	78
<b>SRCA1400x1010 - 1000x1410</b>	1,4140	3	6	15270	30540	57	227	61	78
<b>SRCA1200x1210</b>	1,4520	3	6	15680	31360	57	227	61	78
<b>SRCA1400x1210 - 1200x1410</b>	1,6940	3	6	18300	36590	57	227	62	79
<b>SRCA1400x1410</b>	1,9740	3	6	21320	42640	57	227	63	80

