

SRC200



CHARACTERISTICS:
Volume control dampers
200mm pitch.

CONSTRUCTION:
Galvanized steel frame.
Galvanized steel blades.
Nylon spindles (on request steel
spindles for high temperatures).

DRIVE:
Counter rotating or parallel
movement driven by manual
control or servomotor.

FIXING:
By bolts on flanges corners.

ARTICLE DESCRIPTION:

- SRC200P: opposed blade damper with pin for servo-motor (standard).
- SRC200C: opposed blade damper with manual control.
- SRC200PP: parallel blade damper with pin for servomotor.
- SRC200PPC: parallel blade damper with manual control.
- T10: veneered blades. (price increase +30%).

↑	BASE B mm								
	400	500	600	700	800	900	1000	1100	1200
H mm	A	A	A	A	A	A	A	A	A
410	112,56	154,78	168,84	182,92	196,99	211,06	225,12	239,19	253,27
610	154,78	168,84	182,92	196,99	211,06	225,12	239,19	253,27	267,33
810	196,99	211,06	225,12	239,19	253,27	267,33	281,41	295,47	309,55
1010	225,12	239,19	253,27	267,33	281,41	295,47	309,55	323,61	337,69
1210	239,19	253,27	267,33	281,41	295,47	309,55	323,61	337,69	351,76
1410	267,33	281,41	295,47	309,55	323,61	337,69	351,76	365,82	379,89
1610	295,47	309,55	323,61	337,69	351,76	365,82	379,89	393,96	408,04
1810	323,61	337,69	351,76	365,82	379,89	393,96	408,04	422,11	436,18
2010	351,76	365,82	379,89	393,96	408,04	422,11	436,18	450,25	464,33
2210	379,89	395,09	410,29	425,47	440,69	455,87	471,07	486,28	501,46
2410	408,04	424,36	440,69	457,00	473,31	489,64	505,96	522,29	538,61
2610	436,18	453,62	471,07	488,53	505,96	523,41	540,86	558,30	575,75
2810	464,33	482,90	501,46	520,04	538,61	557,18	575,75	594,33	612,90
3010	492,47	512,17	531,85	551,55	571,26	590,96	610,64	630,34	650,05

Let op: bovenstaande prijzen zijn in € bruto, excl. 21% BTW; vraag Pairdirect voor een netto aanbieding!

↑	BASE B mm								
	1300	1400	1500	1600	1700	1800	1900	2000	2100
H mm	A	A	A	A	A	A	A	A	A
410	267,33	281,41	295,47	310,26	325,03	339,80	354,58	369,35	384,12
610	281,41	295,47	309,55	325,03	340,50	355,98	371,46	386,93	402,41
810	323,61	337,69	351,76	369,35	386,93	404,52	422,11	439,71	457,28
1010	351,76	365,82	379,89	398,89	417,88	436,88	455,87	474,87	493,87
1210	365,82	379,89	393,96	413,66	433,37	453,06	472,76	492,47	512,17
1410	393,96	408,04	422,11	443,20	464,33	485,42	506,52	527,64	548,74
1610	422,11	436,18	450,25	472,76	495,28	517,79	540,31	562,80	585,31
1810	450,25	464,33	478,39	502,31	526,23	550,14	574,07	597,98	621,91
2010	478,39	492,47	506,52	531,85	557,18	582,50	607,83	633,16	658,48
2210	516,67	531,85	547,04	-	-	-	-	-	-
2410	554,93	571,26	587,57	-	-	-	-	-	-
2610	593,21	610,64	628,09	-	-	-	-	-	-
2810	631,47	650,05	668,61	-	-	-	-	-	-
3010	669,75	689,44	709,13	-	-	-	-	-	-

Let op: bovenstaande prijzen zijn in € bruto, excl. 21% BTW; vraag Pairdirect voor een netto aanbieding!

↑	Base B mm								
	2200	2300	2400	2500	2600	2700	2800	2900	3000
H mm	A	A	A	A	A	A	A	A	A
410	398,89	413,66	428,44	443,20	458,00	472,76	487,54	502,31	517,09
610	417,88	433,37	448,85	464,33	479,80	495,28	510,75	526,23	541,71
810	474,87	492,47	510,05	527,64	545,22	562,80	580,41	597,98	615,58
1010	512,86	531,85	550,86	569,84	588,84	607,83	626,84	645,82	664,82
1210	531,85	551,55	571,26	590,96	610,64	630,34	650,05	669,75	689,44
1410	569,84	590,96	612,06	633,16	654,26	675,37	696,48	717,58	738,69

Let op: bovenstaande prijzen zijn in € bruto, excl. 21% BTW; vraag Pairdirect voor een netto aanbieding!



- 1) Flanged frame
- 2) Universal plate
- 3) Fixing slots
- 4) Calibration blades
- 5) Levers and pins nylon PA6
- 6) Control pin

MANUAL CONTROL

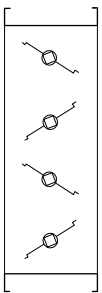
Codice - Code: **CM10**
 € 11,24



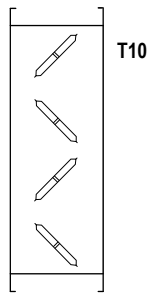
SRC200 (standard)

CONFIGURATION

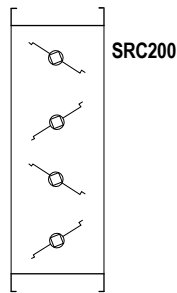
Standard blades



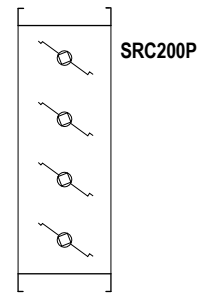
Veneered blades



Opposed blades



Parallel blades



Universal plate (Standard)



Manual control



Servomotor



DIMENSIONS

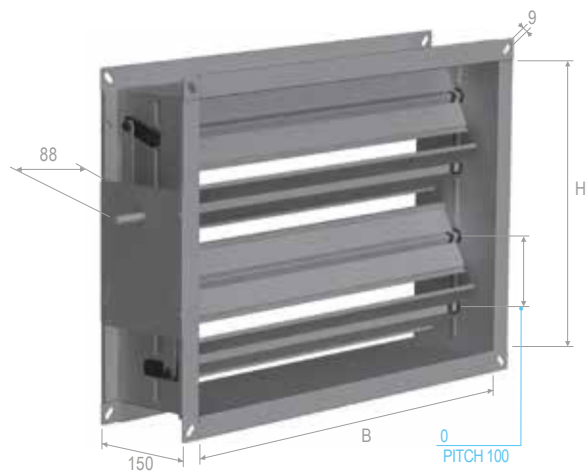
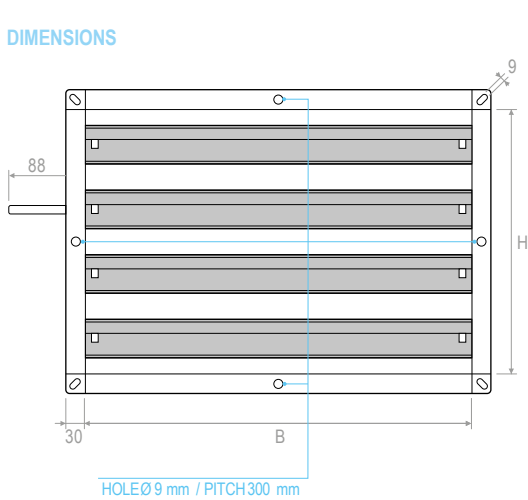
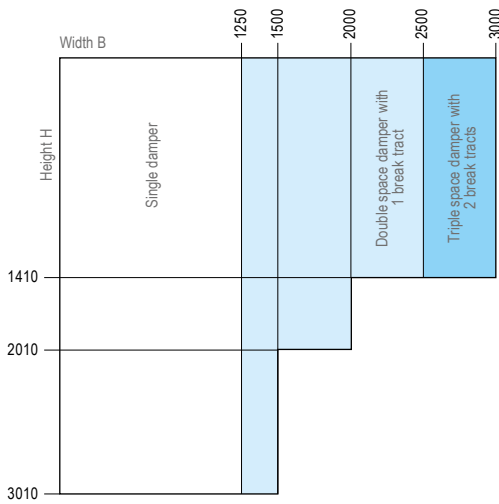




TABLE NOMINAL SIZES:As shown on the diagram the damper with nominal size "B" exceeding 1500 mm up to 2500 mm there is a break tract in the center with control pin passing the entire length. In size from 2500 to 3000 mm there are 2 break tract divided into equal distance.



IDENTIFICATION SCHEME SERVOMOTOR SIZE

	200	300	400	500	600	700	800	900	1000	1100	1200	1300	1400	1500
410	0,08	0,12	0,16	0,21	0,25	0,29	0,33	0,37	0,41	0,45	0,49	0,53	0,57	0,62
610	0,12	0,18	0,24	0,31	0,37	0,43	0,49	0,55	0,61	0,67	0,73	0,79	0,85	0,92
810	0,16	0,24	0,32	0,41	0,49	0,57	0,65	0,73	0,81	0,89	0,97	1,05	1,13	1,22
1010	0,2	0,3	0,4	0,51	0,61	0,71	0,81	0,91	1,01	1,11	1,21	1,31	1,41	1,52
1210	0,24	0,36	0,48	0,61	0,73	0,85	0,97	1,09	1,21	1,33	1,45	1,57	1,69	1,82
1410	0,28	0,42	0,56	0,71	0,85	0,99	1,13	1,27	1,41	1,55	1,69	1,83	1,97	2,12
1610	0,32	0,48	0,64	0,81	0,97	1,13	1,29	1,45	1,61	1,77	1,93	2,09	2,25	2,42
1810	0,36	0,54	0,72	0,91	1,09	1,27	1,45	1,63	1,81	1,99	2,17	2,35	2,53	2,72
2010	0,4	0,6	0,8	1,01	1,21	1,41	1,61	1,81	2,01	2,21	2,41	2,61	2,81	3,02
2210	0,44	0,66	0,88	1,11	1,33	1,55	1,77	1,99	2,21	2,43	2,65	2,87	3,09	3,32
2410	0,48	0,72	0,96	1,21	1,45	1,69	1,93	2,17	2,41	2,65	2,89	3,13	3,37	3,62
2610	0,52	0,78	1,04	1,31	1,57	1,83	2,09	2,35	2,61	2,87	3,13	3,39	3,65	3,92
2810	0,56	0,84	1,12	1,41	1,69	1,97	2,25	2,53	2,81	3,09	3,37	3,65	3,93	4,22
3010	0,6	0,9	1,2	1,51	1,81	2,11	2,41	2,71	3,01	3,31	3,61	3,91	4,21	4,52

	1600	1700	1800	1900	2000	2100	2200	2300	2400	2500	2600	2700	2800	2900	3000
210	0,34	0,36	0,38	0,4	0,42	0,44	0,46	0,48	0,5	0,53	0,55	0,57	0,59	0,61	0,63
410	0,66	0,7	0,74	0,78	0,82	0,86	0,9	0,94	0,98	1,03	1,07	1,11	1,15	1,19	1,23
610	0,98	1,04	1,1	1,16	1,22	1,28	1,34	1,4	1,46	1,53	1,59	1,65	1,71	1,77	1,83
810	1,3	1,38	1,46	1,54	1,62	1,7	1,78	1,86	1,94	2,03	2,11	2,19	2,27	2,35	2,43
1010	1,62	1,72	1,82	1,92	2,02	2,12	2,22	2,32	2,42	2,53	2,63	2,73	2,83	2,93	3,03
1210	1,94	2,06	2,18	2,3	2,42	2,54	2,66	2,78	2,9	3,03	3,15	3,27	3,39	3,51	3,63
1410	2,26	2,4	2,54	2,68	2,82	2,96	3,1	3,24	3,38	3,53	3,67	3,81	3,95	4,09	4,23
1610	2,58	2,74	2,9	3,06	3,22										
1810	2,9	3,08	3,26	3,44	3,62										
2010	3,22	3,42	3,62	3,82	4,02										

Calculated area in square meters
Damper area < 0,4m ²
Damper area < 1m ²
Damper area < 2m ²
Damper area > 2 / < 4m ²
Damper area > 4 < 8m ²

WITHOUT SPRING RETURN

CODE	VOLTAGE	COMMAND	A
CM24L	24V	On-Off/3-p	170,57
CM230L	230V	On-Off/3-p	175,52
CM24SRL	24V	proportional	248,38



for dampers up to 0,4 m²
2 Nm

CM

CODE	VOLTAGE	COMMAND	A
LM24A	24V	On-Off/3-p.	163,27
LM24AS	24V	On-Off/3-p.	186,17
LM24ASR	24V	proportional	233,62
LM230A	230V	On-Off	163,27
LM230AS	230V	On-Off	215,27
LM230ASR	230V	proportional	321,24



for dampers up to 1 m²
5 Nm

LM

CODE	VOLTAGE	COMMAND	A
NM24A	24V	On-Off/3-p.	197,63
NM24ASR	24V	proportional	351,05
NM230A	230V	On-Off	235,13



for dampers up to 2 m²
10 Nm

NM

CODE	VOLTAGE	COMMAND	A
SM24A	24V	On-Off/3-p.	263,28
SM24ASR	24V	proportional	397,42
SM230A	230V	On-Off/3-p.	269,91
SM230ASR	230V	proportional	448,75



for dampers up to 4 m²
20 Nm

SM

CODE	VOLTAGE	COMMAND	A
GM24A	24V	On-Off/3-p.	465,30
GM24ASR	24V	proportional	594,45
GM230A	230V	On-Off/3-p.	473,57



for dampers up to 8 m²
40 Nm

GM

CODE	N° CONTACTS	AMPERAGE	APPLICABLE TO	A
S1A	1 x SPDT	1mA....3 (0,5)A 250V c.a.	LM - NM - SM - GM/ 24V-230V	77,83
S2A	2 x SPDT			104,33


S1A

S2A

CODE	VOLTAGE	SIMULTANEOUS REGULATIONS	APPLICABLE TO	A
SGA24	AC/DC 24 V	max. 10 motori	LM - NM - SM - GM/ 24V-230V	170,57
SGF24				122,53


SGA24

SGF24

Let op: bovenstaande prijzen zijn in € bruto, excl. 21% BTW; vraag Pairedirect voor een netto aanbieding!

WITH SPRING RETURN

CODE	VOLTAGE	COMMAND	A
TF24	24V	On-Off	258,32
TF24S	24V	On-Off	303,03
TF230	230V	On-Off	279,83
TF230S	230V	On-Off	326,20
TF24SR	24V	proportional	356,01



for dampers up to 0,4 m²
2 Nm

TF

CODE	VOLTAGE	COMMAND	A
LF24	24V	On-Off	322,90
LF24S	24V	On-Off	334,12
LF230	230V	On-Off	349,40
LF230S	230V	On-Off	397,42
LF24SR	24V	proportional	435,50



for dampers up to 0,8 m²
4 Nm

LF

CODE	VOLTAGE	COMMAND	A
NFA	230 VAC	On-Off	468,36
NFAS2	230 VAC	On-Off	533,19
NFA	24 VAC/DC	On-Off	468,36
NFAS2	24 VAC/DC	On-Off	533,19
NF24ASR	24 VAC/DC	proportional	471,93
NF24ASRS2	24 VAC/DC	proportional	524,91



for dampers up to 2 m²
10 Nm

NF

CODE	VOLTAGE	COMMAND	A
SFA	230 VAC	On-Off	559,12
SFAS2	230 VAC	On-Off	610,98
SFA	24 VAC/DC	On-Off	559,12
SFAS2	24 VAC/DC	On-Off	610,98
SF24ASR	24 VAC/DC	proportional	536,51
SF24ASRS2	24 VAC/DC	proportional	574,60



for dampers up to 4 m²
20 Nm

SF

CODE	VOLTAGE	COMMAND	A
EF230A	230 VAC	On-Off	1.041,56
EF230AS2	230 VAC	On-Off	1.107,79
EF24A	24 VAC/DC	On-Off	907,42
EF24AS2	24 VAC/DC	On-Off	972,00
EF24ASR	24 VAC/DC	proportional	1.059,77
EF24ASRS2	24 VAC/DC	proportional	1.126,01

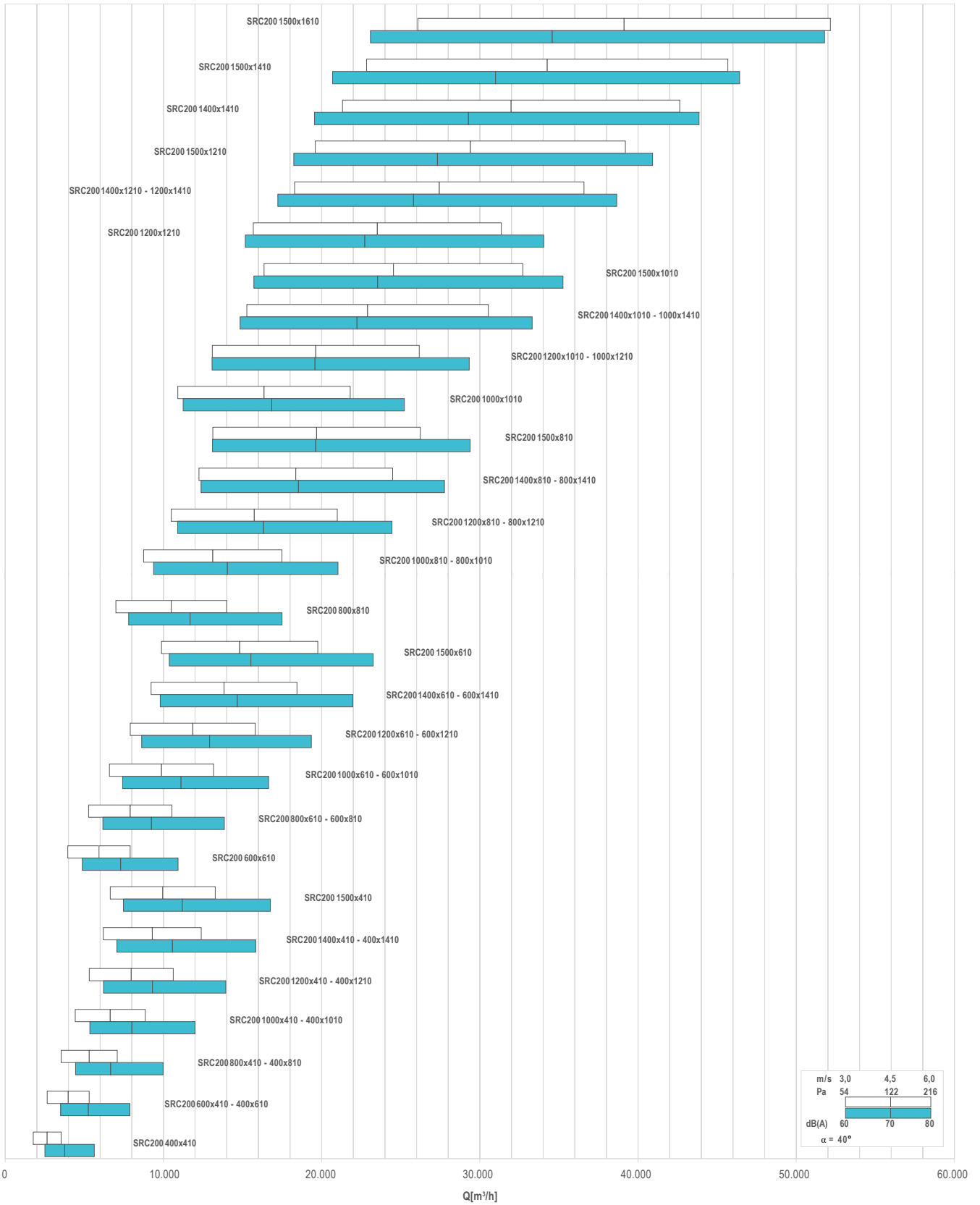


for dampers up to 6 m²
30 Nm

EF

Let op: bovenstaande prijzen zijn in € bruto, excl. 21% BTW; vraag Pairedirect voor een netto aanbieding!

QUICK SELECTION DIAGRAM



Modello - Model	A ₁ [m ²]	v [m/s]		Q [m ³ /h]		D _p (α=40°) [Pa]		L _{WA} (α=40°) [dB(A)]	
		min	max	min	max	min	max	min	max
SRC200 400x410	0,1640	3	6	1770	3540	54	216	51	68
SRC200 600x410 - 400x610	0,2460	3	6	2660	5310	54	216	53	70
SRC200 800x410 - 400x810	0,3280	3	6	3540	7080	54	216	54	72
SRC200 1000x410 - 400x1010	0,4100	3	6	4430	8860	54	216	55	72
SRC200 1200x410 - 400x1210	0,4920	3	6	5310	10630	54	216	56	73
SRC200 1400x410 - 400x1410	0,5740	3	6	6200	12400	54	216	57	74
SRC200 1500x410	0,6150	3	6	6640	13280	54	216	57	74
SRC200 600x610	0,3660	3	6	3950	7910	54	216	55	72
SRC200 800x610 - 600x810	0,4880	3	6	5270	10540	54	216	56	73
SRC200 1000x610 - 600x1010	0,6100	3	6	6590	13180	54	216	57	74
SRC200 1200x610 - 600x1210	0,7320	3	6	7910	15810	54	216	58	75
SRC200 1400x610 - 600x1410	0,8540	3	6	9220	18450	54	216	59	76
SRC200 1500x610	0,9150	3	6	9880	19760	54	216	59	76
SRC200 800x810	0,6480	3	6	7000	14000	54	216	57	74
SRC200 1000x810 - 800x1010	0,8100	3	6	8750	17500	54	216	58	75
SRC200 1200x810 - 800x1210	0,9720	3	6	10500	21000	54	216	59	76
SRC200 1400x810 - 800x1410	1,1340	3	6	12250	24490	54	216	60	77
SRC200 1500x810	1,2150	3	6	13120	26240	54	216	60	77
SRC200 1000x1010	1,0100	3	6	10910	21820	54	216	59	76
SRC200 1200x1010 - 1000x1210	1,2120	3	6	13090	26180	54	216	60	77
SRC200 1400x1010 - 1000x1410	1,4140	3	6	15270	30540	54	216	61	78
SRC200 1500x1010	1,5150	3	6	16360	32720	54	216	61	78
SRC200 1200x1210	1,4520	3	6	15680	31360	54	216	61	78
SRC200 1400x1210 - 1200x1410	1,6940	3	6	18300	36590	54	216	61	79
SRC200 1500x1210	1,8150	3	6	19600	39200	54	216	62	79
SRC200 1400x1410	1,9740	3	6	21320	42640	54	216	62	79
SRC200 1500x1410	2,1150	3	6	22840	45680	54	216	62	80
SRC200 1500x1610	2,4150	3	6	26080	52160	54	216	63	80

