



**CHARACTERISTICS:**  
Floor slot diffuser.

**CONSTRUCTION:**  
Aluminium.

**UTILIZATION:**  
For floor installation, in swimming pool and rooms with large glass surfaces or curtain walling, for air delivery. They are used to prevent condensation phenomena during heating season.

**FIXING:**  
Fixing by using screws.

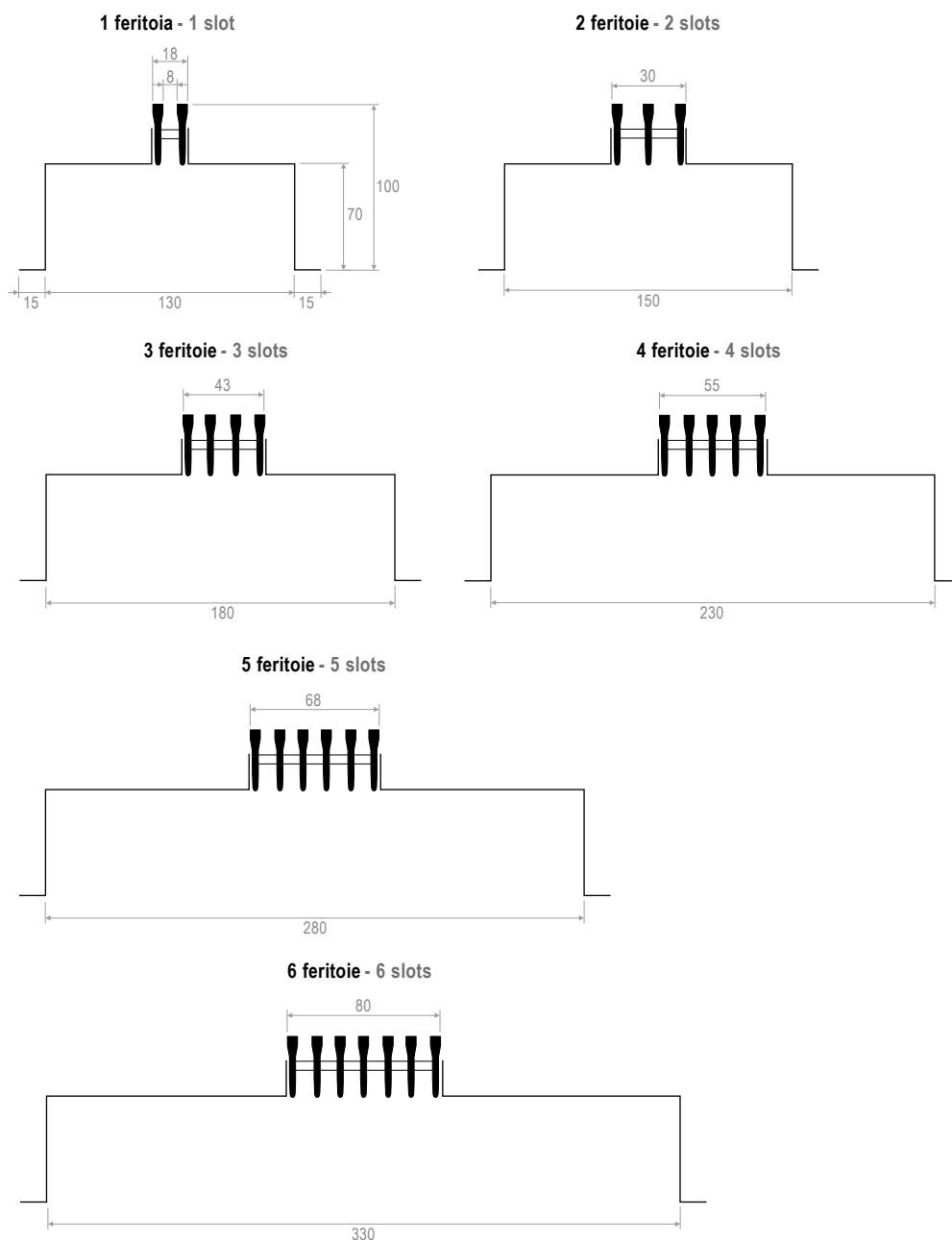
**ACCESSORIES:**  
On demand.

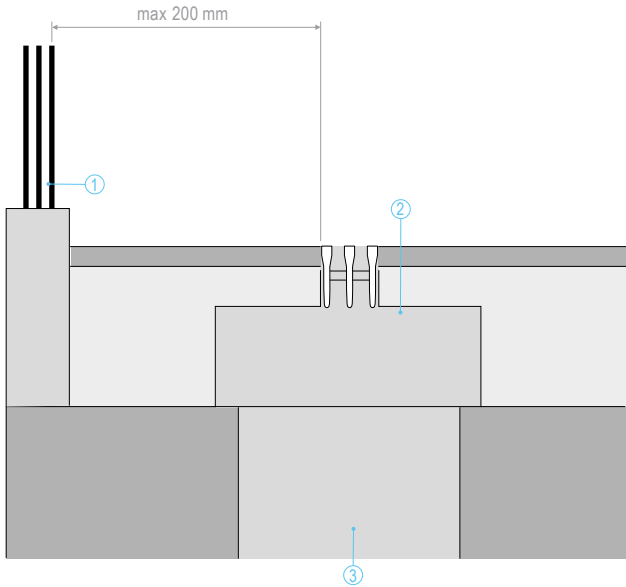
MODELLO - MODEL	m	TAPPO TERMINALE - END CAP TPPTRMGRPW	SUPPORTO CONTINUITÀ CONTINUITY SUPPORT SPPCNTGRPW
	g	g	g
GRPW1	106,55	10,67	12,85
GRPW2	125,67	11,22	13,51
GRPW3	142,06	11,76	14,16
GRPW4	162,56	12,34	14,86
GRPW5	177,59	12,96	15,57
GRPW6	191,25	13,62	16,38

MISURE DISPONIBILI - SIZES AVAILABLE  
L mm: 1000 / 2000

**VERNICIATURA - PAINTING:**  
Colori RAL9010 - 9016: + 15% - Color RAL9010 - 9016: + 15%  
Per altre misure e RAL: prezzi a richiesta - Other sizes and RAL colors: prices on request

### VERSIONI - VERSIONS





- 1 vetro - glass
- 2 GRPW
- 3 canale di mandata dell'aria - air supply duct

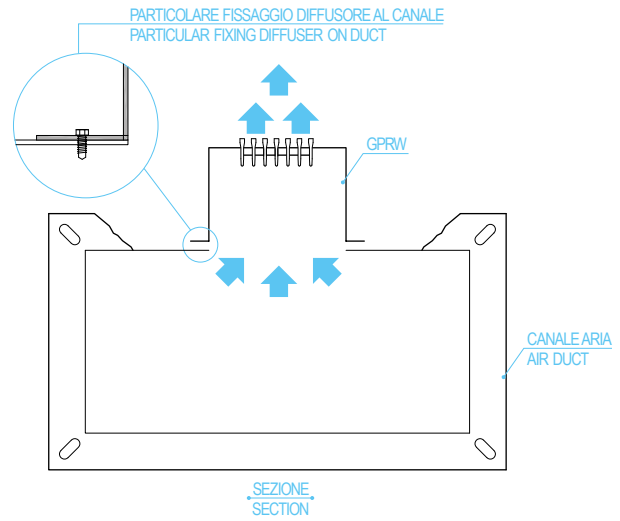


DIAGRAMMA SCELTA RAPIDA - QUICK SELECTION DIAGRAM

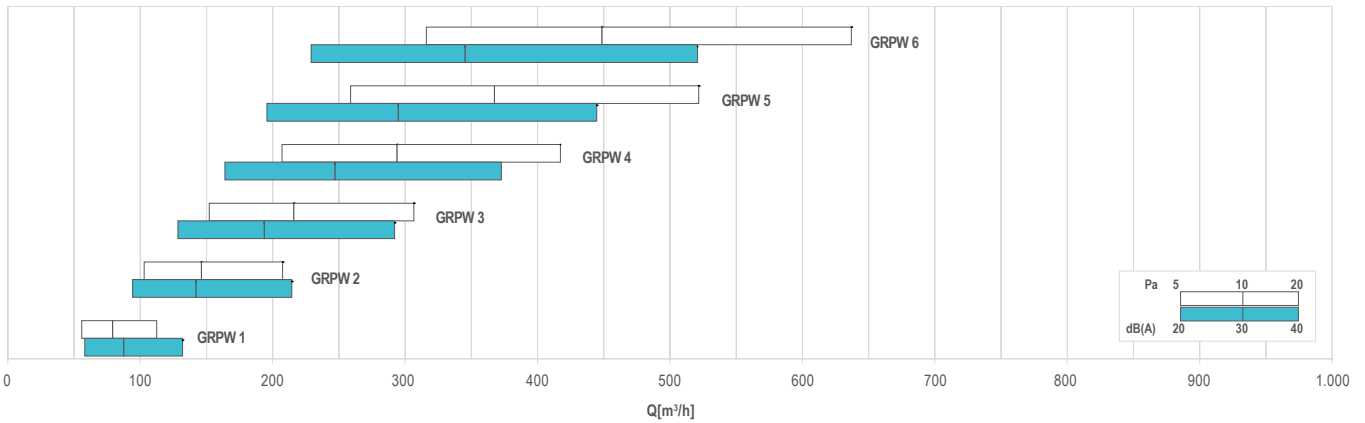


TABELLA DI SELEZIONE - SELECTION TABLE

Modello - Model	A <sub>x</sub> [m <sup>2</sup> ]	Q [m <sup>3</sup> /h]		L <sub>wa</sub> [dB(A)]		Y (0,25) [m]		Dp <sub>t</sub> [Pa]	
		min	max	min	max	min	max	min	max
GRPW1	0,0063	60	110	21	36	1,0	2,3	5	20
GRPW2	0,0117	100	210	21	39	1,5	3,7	5	20
GRPW3	0,0172	150	310	24	41	2,1	4,8	5	20
GRPW4	0,0234	210	420	26	43	2,7	5,7	5	20
GRPW5	0,0293	260	520	27	44	3,1	6,4	5	20
GRPW6	0,0358	320	640	28	45	3,5	7,2	5	20

Caratteristiche per 1 metro di lunghezza - Characteristics for 1 meter of length

