

CHARACTERISTICS:
Floor grilles composed by horizontal fixed bars with 12,5mm pitch.

CONSTRUCTION:
Anodized aluminium.

UTILIZATION:
For floor installation and for air intake or delivery.

ACCESSORIES:

- Dust collection container.
- Calibration damper made of galvanized steel and fins with opposite movement.
- Mounting counterframes made of galvanized steel sheet or extruded aluminium.

							
BxH	GRP - GRPI	GRPS-GRPSI	SCP	CS	CTFP ACCIAIO - STEEL	CTAP ALLUMINIO-ALUMINIUM	CTAPS ALLUMINIO-ALUMINIUM
mm	A	A	A	A	A	A	A
300x100	18,29	20,10	11,68	34,44	6,13	11,68	24,14
300x150	27,42	30,14	13,22	34,97	6,82	14,14	26,65
400x100	24,36	26,79	12,43	37,30	6,82	13,94	26,38
400x150	36,53	40,17	15,55	38,26	7,48	16,40	28,91
400x200	48,71	53,57	18,66	38,80	8,65	18,86	31,30
500x100	30,45	33,50	15,16	40,04	7,48	16,20	28,64
500x150	45,65	50,23	17,88	39,62	8,99	18,65	31,17
500x200	60,88	66,96	21,77	40,98	9,82	21,12	33,55
500x300	91,32	100,46	27,23	43,59	11,99	26,02	38,59
600x100	36,53	40,17	17,13	41,81	8,18	18,44	32,18
600x150	54,78	60,28	20,22	42,09	9,82	20,90	33,28
600x200	78,71	86,59	24,90	43,59	10,50	23,36	35,68
600x300	101,08	111,19	29,57	45,48	12,68	28,28	40,84
600x400	134,79	148,27	35,80	47,05	15,00	33,20	51,84
600x500	168,49	185,28	43,57	49,52	16,36	38,11	56,76
600x600	191,20	210,30	49,79	50,76	17,84	43,04	67,97
800x100	48,71	53,57	22,14	48,28	9,82	22,94	35,40
800x150	73,04	80,38	25,65	50,27	11,18	25,41	37,88
800x200	104,94	115,44	30,35	51,37	12,68	27,87	40,31
800x300	134,79	148,27	35,80	54,48	15,00	32,79	45,37
800x400	179,70	197,71	43,57	54,48	17,03	37,69	56,37
800x500	224,66	247,13	51,34	55,71	18,67	42,62	61,35
800x600	269,54	296,54	60,64	58,19	20,03	47,54	72,42
1000x100	60,88	66,96	27,04	56,95	11,18	27,45	39,92
1000x150	91,32	100,46	30,59	58,19	12,68	29,92	42,30
1000x200	131,19	144,31	33,45	60,64	14,16	32,37	44,82
1000x300	168,49	185,28	42,79	61,91	17,03	37,30	49,75
1000x400	224,66	247,13	51,34	63,14	19,33	42,21	60,88
1000x500	280,80	308,91	64,56	64,38	20,86	47,13	65,78
1000x600	336,93	370,70	75,46	66,85	23,17	52,06	77,97

Let op: bovenstaande prijzen zijn in € bruto, excl. 21% BTW; vraag Pairdirect voor een netto aanbieding!

ACCESSORI - ACCESSORIES:

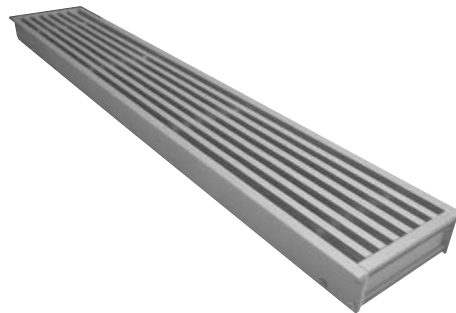
SCP: Serranda di taratura ad alette con movimento contrapposto - Opposed blade damper

CS: Cestello raccogli-polvere - Dust collection container

CTFP: Controtelaio di fissaggio in lamiera d'acciaio zincata - Counterframe in galvanized steel sheet profile section

CTAP: Controtelaio di fissaggio in alluminio - Counterframe in aluminium

CTAPS: Controtelaio di fissaggio in alluminio con viti di regolazione - Counterframe in aluminium with regulation screws



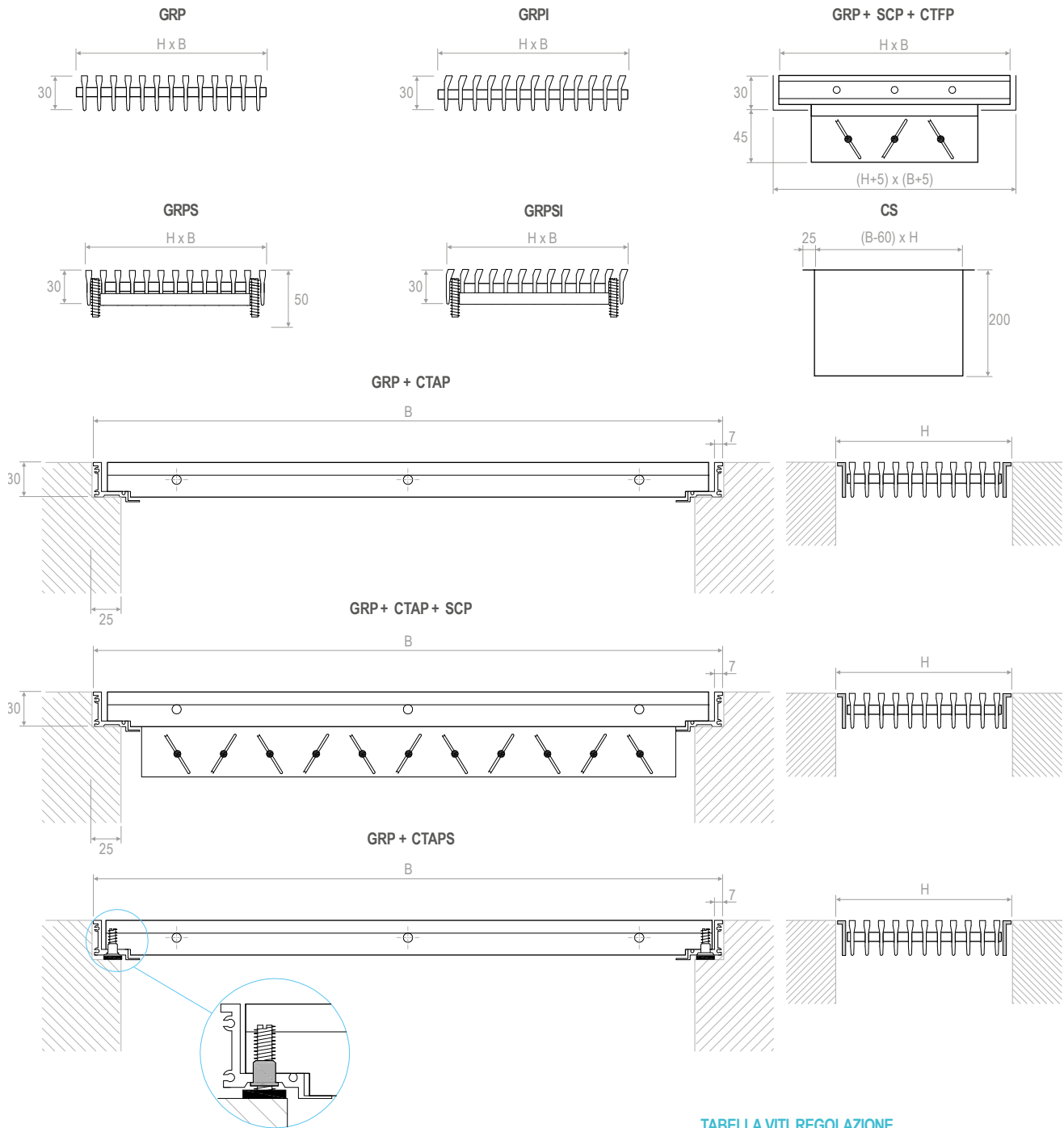
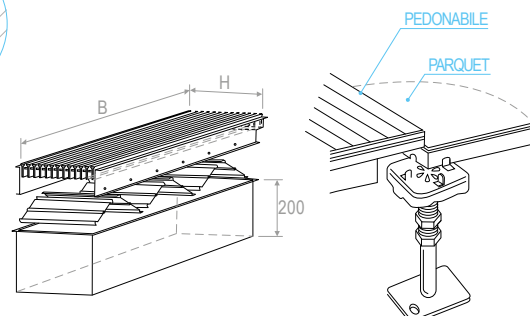
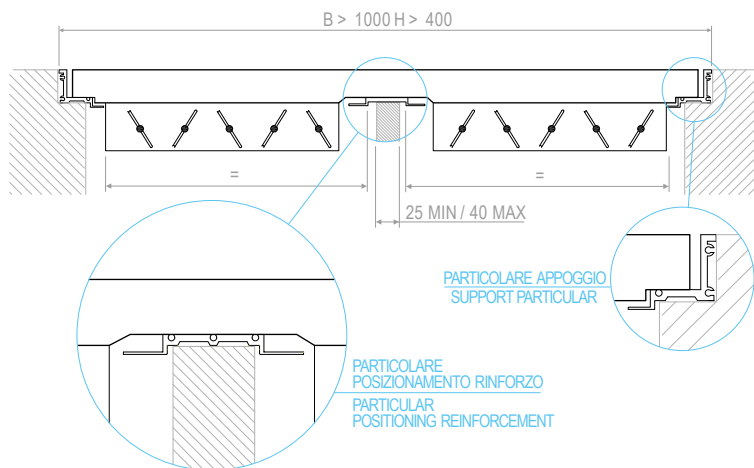


TABELLA VITI REGOLAZIONE
TABLE ADJUSTMENT SCREW

GRPS - GRPSI - CTAPS

H mm	N. Viti per lato N. of screws for side
100 - 300	2 + 2
301 - 500	3 + 3
501 - 600	4 + 4



GRI

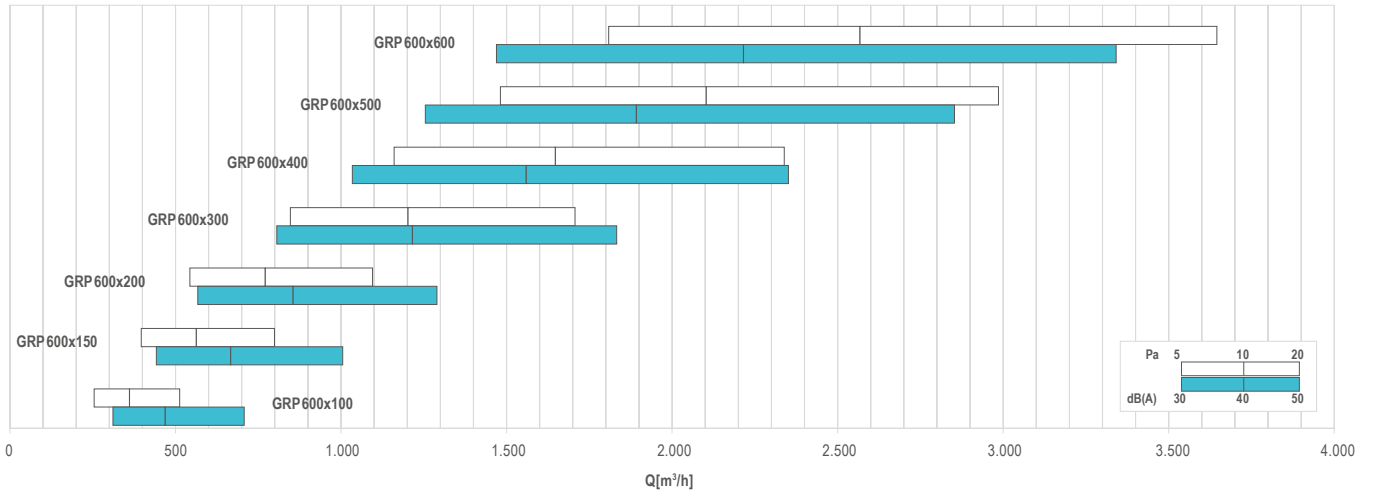


TABELLA DI SELEZIONE - SELECTION TABLE

Modello - Model	A _s [m ²]	Q [m ³ /h]		L _{WA} [dB(A)]		Y (0,25) [m]		Dp [Pa]	
		min	max	min	max	min	max	min	max
GRP 300x100	0,0126	120	240	21	38	2,2	4,9	5	20
GRP 400x100	0,0172	160	330	22	40	2,6	5,9	5	20
GRP 500x100	0,0220	210	420	24	41	3,2	6,7	5	20
GRP 600x100	0,0268	250	510	25	42	3,5	7,4	5	20
GRP 800x100	0,0368	350	700	27	44	4,2	8,8	5	20
GRP 1000x100	0,0470	450	900	28	45	4,9	10,0	5	20
GRP 300x150	0,0196	190	370	24	40	3,1	6,3	5	20
GRP 400x150	0,0268	250	510	25	42	3,5	7,6	5	20
GRP 500x150	0,0343	320	650	26	43	4,1	8,6	5	20
GRP 600x150	0,0418	400	800	28	44	4,7	9,6	5	20
GRP 800x150	0,0573	540	1100	29	46	5,4	11,3	5	20
GRP 1000x150	0,0732	690	1400	30	47	6,2	12,7	5	20
GRP 400x200	0,0368	350	700	27	44	4,4	9,1	5	20
GRP 500x200	0,0470	450	900	28	45	5,0	10,3	5	20
GRP 600x200	0,0573	540	1100	29	46	5,5	11,4	5	20
GRP 800x200	0,0785	740	1500	30	48	6,5	13,3	5	20
GRP 1000x200	0,1003	950	1920	32	49	7,4	15,1	5	20
GRP 500x300	0,0732	690	1400	30	47	6,4	13,1	5	20
GRP 600x300	0,0893	850	1710	31	48	7,1	14,5	5	20
GRP 800x300	0,1224	1160	2340	33	50	8,3	16,9	5	20
GRP 1000x300	0,1563	1480	2990	34	51	9,4	19,1	5	20
GRP 600x400	0,1224	1160	2340	33	50	8,4	17,1	5	20
GRP 800x400	0,1677	1590	3200	34	51	9,8	20,0	5	20
GRP 1000x400	0,2141	2030	4090	36	53	11,1	22,5	5	20
GRP 600x500	0,1563	1480	2990	34	51	9,6	19,5	5	20
GRP 800x500	0,2141	2030	4090	36	53	11,2	22,7	5	20
GRP 1000x500	0,2733	2590	5220	37	54	12,6	25,6	5	20
GRP 600x600	0,1908	1810	3650	35	52	10,7	21,7	5	20
GRP 800x600	0,2613	2480	5000	37	54	12,5	25,3	5	20
GRP 1000x600	0,3336	3160	6380	38	55	14,0	28,5	5	20

