





**CHARACTERISTICS:**  
Filter linear slot diffusers.

**CONSTRUCTION:**  
Anodized extruded aluminium.

**UTILIZATION:**  
For ceiling installation and for  
air intake and delivery.  
Installation height: 2,5-3,1 m.

**FIXING:**  
• By inner mounting mobile  
bracket.

**ACCESSORIES:**  
Galvanized steel connecting  
plenum with insulation.

				
FERITOIE - SLOTS	LUNGHEZZA - LENGHT	DLF-FP	PDL	PDLI
N.	mm*	A	A	A
3	600	162,56	59,84	70,19
	800	184,42	63,01	73,89
	1000	228,13	63,77	76,22
	1500	265,00	94,11	113,56
	2000	290,97	123,69	152,46
4	600	181,68	59,84	70,19
	800	206,28	63,01	73,89
	1000	254,08	63,77	76,22
	1500	296,44	94,11	113,56
	2000	325,11	123,69	152,46
5	600	200,81	71,81	84,24
	800	229,49	75,60	88,67
	1000	281,41	76,54	91,47
	1500	329,22	112,91	136,25
	2000	362,01	148,41	182,94

Let op: bovenstaande prijzen zijn in € bruto, excl. 21% BTW; vraag Pairedirect voor een netto aanbieding!

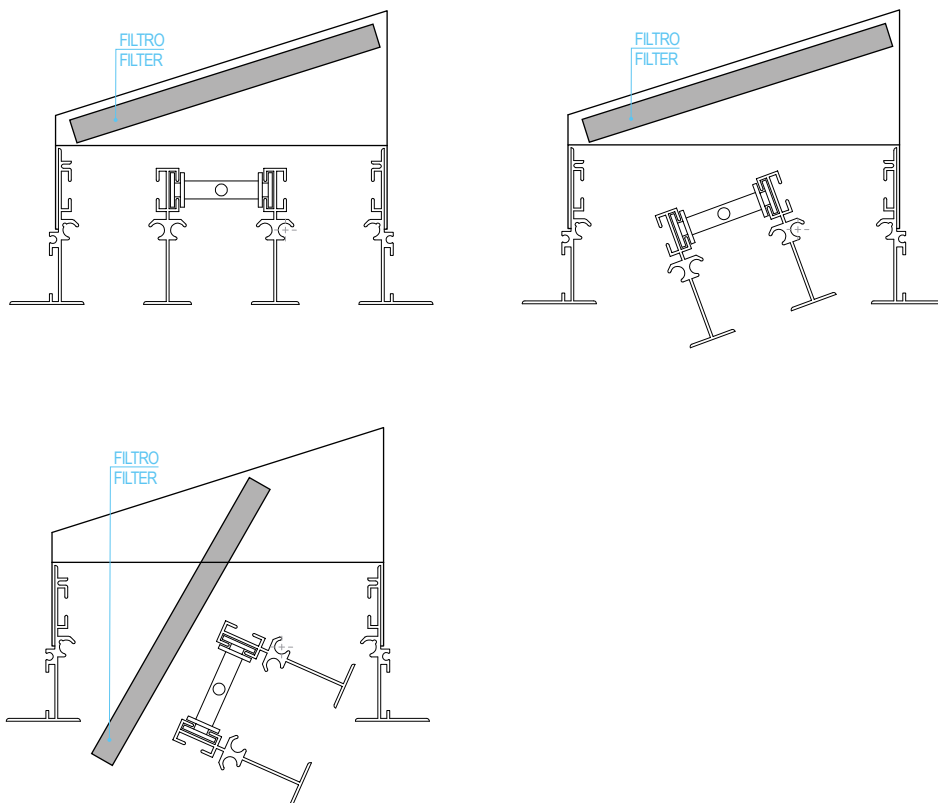
\*N.B.: Prezzicon filtro incluso - Prices with filter included

\*N.B.: Le lunghezze riportate sono da intendere passaggio aria - The lengths are actual neck sizes

**VERNICIATURA - PAINTING:**

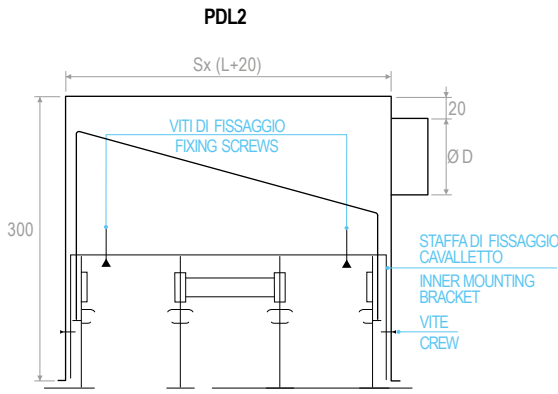
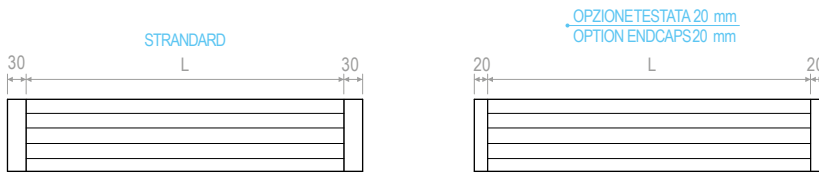
Colori RAL9010 - 9016: + 15% - Color RAL9010 - 9016: + 15%  
Altri colori: prezzi a richiesta - Different colors: prices on request

**DISEGNI - DRAWINGS**

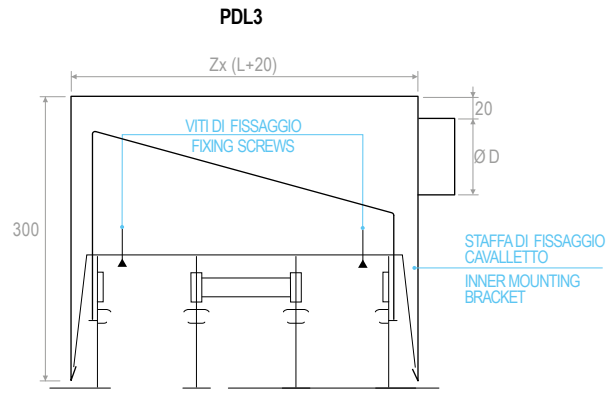


N. feritoie N. slots	Lunghezza mm Lenght mm	Ø collarino est. N. collarini Ø spigot N. spitos	A mm	B mm	C mm	S mm	Z mm	NR. CVL Cavalletti Mounting brackets
3	800	198-1	117	128	155	132	144	2
	1000	198-2						2
	1500	198-3						2
	2000	198-4						4
4	800	198-2	155	165	191	169	181	2
	1000	198-2						2
	1500	198-3						2
	2000	198-4						4
5	800	248-1	192	202	229	206	218	4
	1000	248-1						4
	1500	248-2						4
	2000	248-2						4

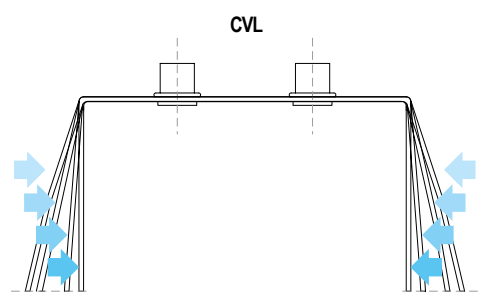
**DISEGNI - DRAWINGS**



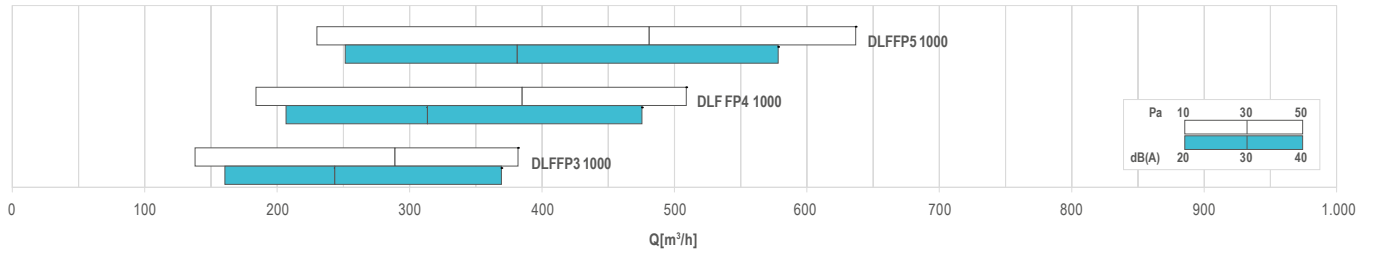
**Fissaggio al plenum con staffe CVL cavalletti**  
Fixing to the plenum by inner mounting brackets CVL



**Fissaggio al plenum con staffe inclinate CVL cavalletti**  
Fixing to the plenum by inner mounting brackets inclined CVL





**Modifica configurazione CVL da PDL 3 a PDL2 con pressione delle dita**  
Configuration change CVL to PDL3 to PDL2 with finger pressure



## TABELLA DI SELEZIONE - SELECTION TABLE

Modello - Model	$A_k$ [m²]	Q [m³/h]		$L_{via}$ [dB(A)]		$Dp_1$ [Pa]	
		min	max	min	max	min	max
<b>DLFFP3 1000</b>	0,02149	140	380	17	41	10	50
<b>DLFFP4 1000</b>	0,02868	180	510	17	42	10	50
<b>DLFFP5 1000</b>	0,03588	230	640	18	42	10	50

		A
<p><b>CVL</b> 1-4 Feritoie - 1-4 Slots</p>		6,05
<p><b>CVL</b> 5-8 Feritoie - 5-8 Slots</p>		8,58
<p><b>CG</b> Gancio - Hook</p>		1,99
<p><b>CC</b> Kit Continuità (2 pezzi) Kit continuity (2 pieces)</p>		2,58